



Driver LC 150W 24V bDW SC PRE2
premium series constant voltage

Product description

- Dimmable 24 V constant voltage LED Driver for flexible constant voltage strips
- Can be either used built-in or independent with clip-on strain-relief (see data sheet chapter: 1. Standards)
- basicDIM Wireless enables different dimming options
- Forms automatically a wireless communication network with up to 250 nodes
- Dimming range 1 to 100 %
- No additional external dimmer is needed
- Suitable for emergency escape lighting systems acc. to EN 50172
- Nominal life-time up to 50,000 h
- 5-year guarantee

Typical application

- Cove lighting, facade accent lighting, ceiling integration

Technical details

- 24 V, 150 W
- Small design (325 x 43 x 30 mm) with stretched-compact strain relief
- Small cross section
- Push terminal for simple wiring
- Output terminals (+/-) equipped twice for more flexibility in the application

Interfaces

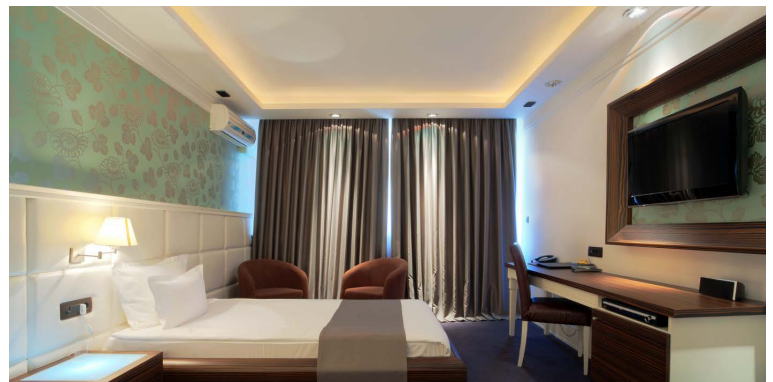
- basicDIM Wireless
- ready2mains (configuration via mains)
- Terminal blocks: 45° push terminals

System solution

- Tridonic LLE-FLEX ADV 600, 1,200, 1,800 lm/m
- Tridonic LLE-FLEX EXC 600, 1,200, 1,800, 2,500 lm/m
- In connection with Flex accessories wire to PCB plug



System solution



Standards, page 3

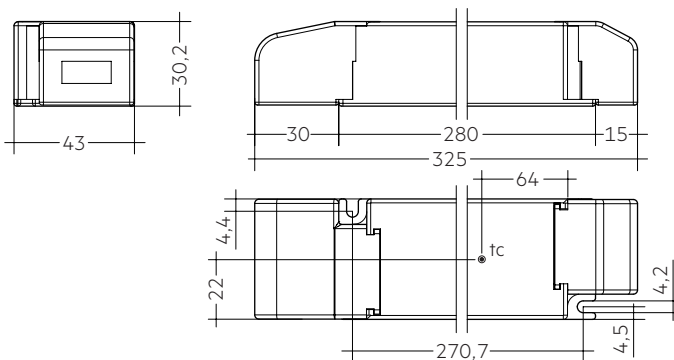
IP20 SELV RoHS

Driver LC 150W 24V bDW SC PRE2

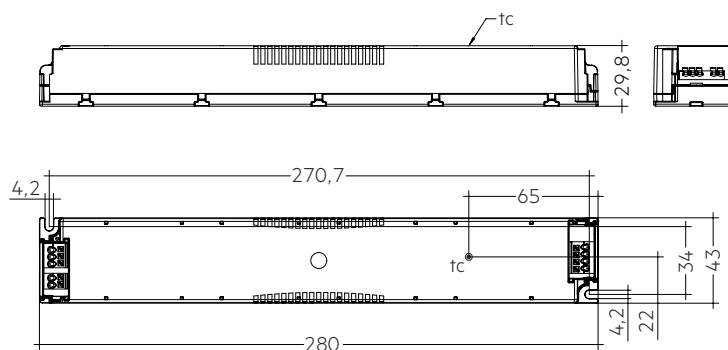
premium series constant voltage

Technical data

| | |
|---|--------------------|
| Rated supply voltage | 220 – 240 V |
| AC voltage range | 198 – 264 V |
| DC voltage range | 176 – 280 V |
| Mains frequency | 0 / 50 / 60 Hz |
| Typ. current (at 230 V, 50 Hz, full load) ^① | 710 mA |
| Typ. current (220 V, 0 Hz, full load, 15 % dimming level) | 129 mA |
| Leakage current (at 230 V, 50 Hz, full load) ^① | < 320 µA |
| Max. input power | 160 W |
| Typ. efficiency (at 230 V / 50 Hz / full load) | 94 % |
| λ (at 230 V, 50 Hz, full load) ^① | 0.99 |
| Typ. power input on stand-by | < 0.35 W |
| Typ. input current in no-load operation | 66.4 mA |
| Typ. input power in no-load operation | 2.5 W |
| In-rush current (peak / duration) | 60.2 A / 195 µs |
| THD (at 230 V, 50 Hz, full load) ^① | < 4.3 % |
| Starting time (at 230 V, 50 Hz, full load) ^① | < 0.63 s |
| Starting time (DC mode) | < 0.32 s |
| Switchover time (AC/DC) ^② | < 0.32 s |
| Turn off time (at 230 V, 50 Hz, full load) | < 8 ms |
| Output voltage tolerance | ± 1 V |
| Output LF voltage ripple (< 120 Hz) | ± 5 % |
| Max. output voltage (no-load voltage) | 60 V |
| PWM frequency | ~ 1 kHz |
| Dimming range | 1 – 100 % |
| Mains surge capability (between L – N) | 1 kV |
| Mains surge capability (between L/N – PE) | 2 kV |
| Life-time | up to 50,000 h |
| Dimensions L x W x H | 325 x 43 x 29.8 mm |



With strain-relief



Without strain-relief

Ordering data

| Type | Article number | Packaging carton ^③ | Packaging pallet | Weight per pc. |
|----------------------------------|-----------------|-------------------------------|------------------|----------------|
| Multi packaging | | | | |
| LC 150/24V bDW SC PRE2 | 28002418 | 10 pc(s). | 390 pc(s). | 0.293 kg |
| Single packaging | | | | |
| LC 150/24V bDW SC PRE2 SP | 28002678 | 10 pc(s). | 390 pc(s). | 0.293 kg |

^③ The strain relief is included in both packaging variants.

In the single packaging each Driver has also an individual packaging.

Specific technical data

| Type | Load | Forward voltage | Output current | Max. output power (at 24 V, full load) | Typ. power consumption (at 24 V, full load) | Typ. current consumption (at 24 V, full load) | Max. casing temperature tc | Ambient temperature ta max. |
|-------------------------------|-------|-----------------|----------------|--|---|---|----------------------------|-----------------------------|
| LC 150/24V bDW SC PRE2 | 10 % | 24 V | 0,625 A | 15 W | 191 W | 122 mA | 80 °C | -25 ... +60 °C |
| | 20 % | 24 V | 1,250 A | 30 W | 34.3 W | 174 mA | 80 °C | -25 ... +60 °C |
| | 30 % | 24 V | 1,875 A | 45 W | 49.7 W | 235 mA | 80 °C | -25 ... +60 °C |
| | 40 % | 24 V | 2,500 A | 60 W | 65.2 W | 298 mA | 85 °C | -25 ... +55 °C |
| | 50 % | 24 V | 3,125 A | 75 W | 80.7 W | 364 mA | 85 °C | -25 ... +55 °C |
| | 60 % | 24 V | 3,750 A | 90 W | 96.3 W | 430 mA | 85 °C | -25 ... +55 °C |
| | 70 % | 24 V | 4,375 A | 105 W | 112.1 W | 498 mA | 90 °C | -25 ... +50 °C |
| | 80 % | 24 V | 5,000 A | 120 W | 127.7 W | 565 mA | 90 °C | -25 ... +50 °C |
| | 90 % | 24 V | 5,625 A | 135 W | 143.3 W | 633 mA | 90 °C | -25 ... +50 °C |
| | 100 % | 24 V | 6,250 A | 150 W | 159.3 W | 702 mA | 90 °C | -25 ... +50 °C |

^① Valid at 100 % dimming level.

^② Valid for immediate change of power supply type otherwise the starting time is valid.

1. Standards


EN 55015
EN 61000-3-2
EN 61000-3-3
EN 61347-1
EN 61347-2-13
EN 62384
EN 61547
EN 300330 V2.11
EN 301489-1 V2.11
EN 301489-3 V2.11
EN 300328 V2.11
EN 301489-17 V2.11

According to EN 50172 for use in central battery systems

According to EN 60598-2-22 suitable for emergency lighting installations

For devices with strain-reliefs the following test marks apply:

 ... Class II luminaires

 ... Independent device

For devices without strain-reliefs the following test mark apply:

 ... Double or reinforced insulation

2. Thermal details and life-time

2.1 Expected life-time

| Expected lifetime | | | | | | | |
|------------------------|-------------|-----------|------------|------------|------------|----------|----------|
| Type | Output load | ta | 40 °C | 45 °C | 50 °C | 55 °C | 60 °C |
| 100 – 150 W | | tc | 80 °C | 80 °C | 90 °C | | |
| | | Life-time | 95,000 h | 75,000 h | 55,000 h | | |
| LC 150/24V bDW SC PRE2 | 50 – 100 W | tc | 65 °C | 70 °C | 75 °C | 85 °C | |
| | | Life-time | >100,000 h | >100,000 h | 80,000 h | 60,000 h | |
| | < 50 W | tc | 55 °C | 60 °C | 65 °C | 70 °C | 80 °C |
| | | Life-time | >100,000 h | >100,000 h | >100,000 h | 80,000 h | 60,000 h |

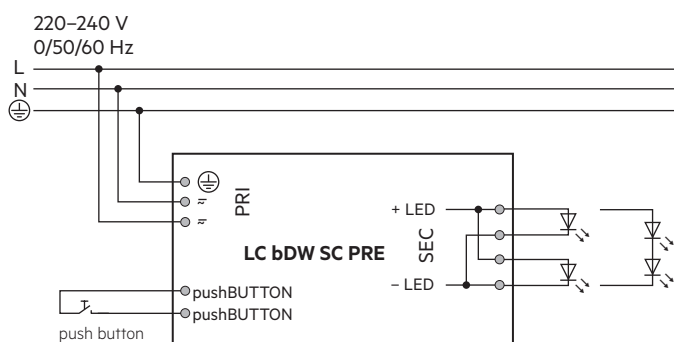
The LED control gear is designed for a life-time stated above under reference conditions and with a failure probability of less than 10 %.

The relation of tc to ta temperature depends also on the luminaire design.

If the measured tc temperature is approx. 5 K below tc max., ta temperature should be checked and eventually critical components (e.g. ELCAP) measured. Detailed information on request.

3. Installation / wiring

3.1 Circuit diagram



The used push button has to be insulated.

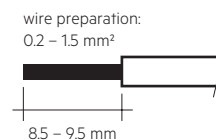
1.1 Glow wire test

according to EN 61347-1 with increased temperature of 850 °C passed.

3.2 Wiring type and cross section

Mains supply wires

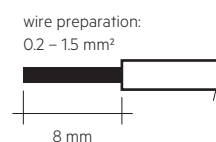
The wiring can be in stranded wires with ferrules or solid from 0.2 – 1.5 mm². For perfect function of the push-wire terminals (WAGO 250) the strip length should be 8.5 – 9.5 mm.



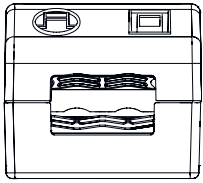
Secondary wires (LED module)

The wiring can be in stranded wires with ferrules or solid from 0.2 – 1.5 mm² (24AWG – 16AWG).

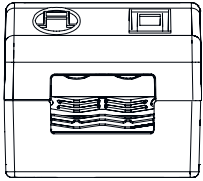
For perfect function of the push-wire terminals (Phoenix SPTAF 1/4-5,0-IL) the strip length should be 8 mm.



Secondary strain relief for cables with bigger cable sheath

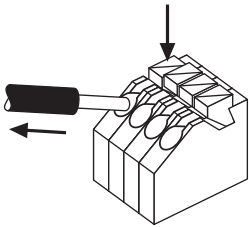


Secondary strain relief for cable with smaller cable sheath



3.3 Loose wiring

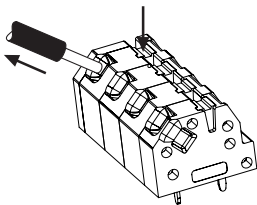
Mains supply wires



Release of the wiring

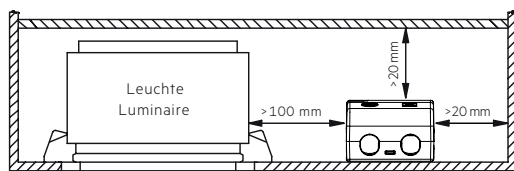
Press down the "push button" and remove the cable from front.

Secondary wires (LED module)



3.4 Fixing conditions when using as independent Driver with Clip-On

Dry, acidfree, oilfree, fatfree. It is not allowed to exceed the maximum ambient temperature (t_a) stated on the device. Minimum distances stated below are recommendations and depend on the actual luminaire. Device is not suitable for fixing in corner.



3.5 Wiring guidelines

- The secondary cables should be run separately from the mains connections and mains cables to ensure good EMC conditions.
- The LED wiring should be kept as short as possible to ensure good EMC. The max. secondary cable length is 2 m (4 m circuit).
- The secondary wires (LED module) should be routed in parallel to ensure good EMC performance.
- Secondary switching is not permitted.
- The LED Driver has no inverse-polarity protection on the secondary side. Wrong polarity can damage LED modules with no inverse-polarity protection.
- Wrong wiring of the LED Driver can lead to malfunction or irreparable damage.
- To avoid the damage of the Driver, the wiring must be protected against short circuits to earth (sharp edged metal parts, metal cable clips, louver, etc.).

3.6 Hot plug-in

Hot plug-in is not supported due to residual output voltage of > 0 V. If a LED load is connected the device has to be restarted before the output will be activated again. This can be done via mains reset or interface (basicDIM Wireless).

3.7 Earth connection

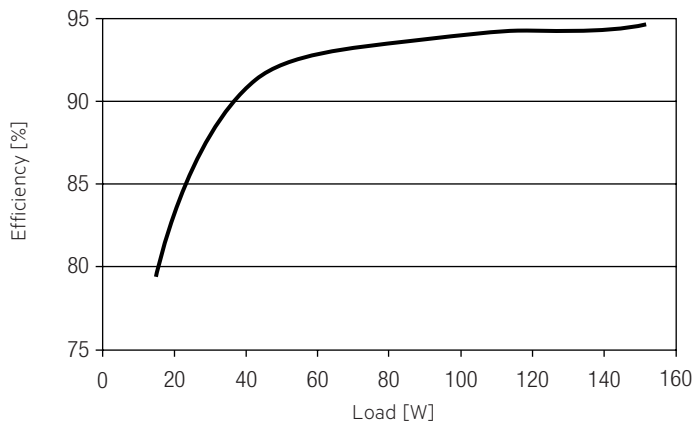
The earth connection is conducted as protection earth (PE). The LED Driver can be earthed via earth terminal. If the LED Driver will be earthed, protection earth (PE) has to be used. There is no earth connection required for the functionality of the LED Driver. Earth connection is recommended to improve following behaviour:

- Electromagnetic interferences (EMI)
- LED glowing at standby
- Transmission of mains transients to the LED output

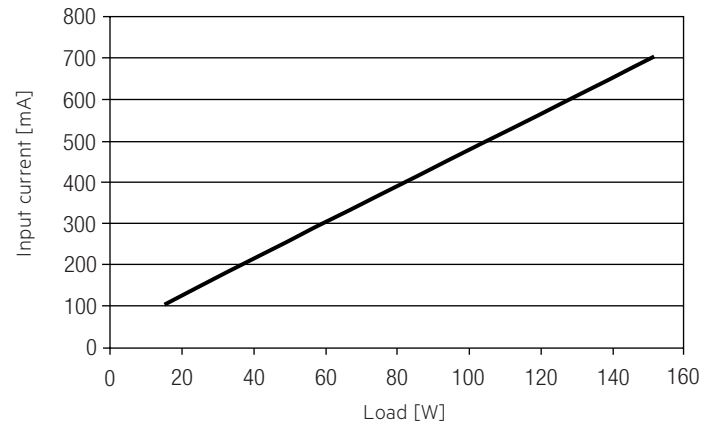
In general it is recommended to earth the LED Driver if the LED module is mounted on earthed luminaire parts respectively heat sinks and thereby representing a high capacity against earth.

4. Electrical values

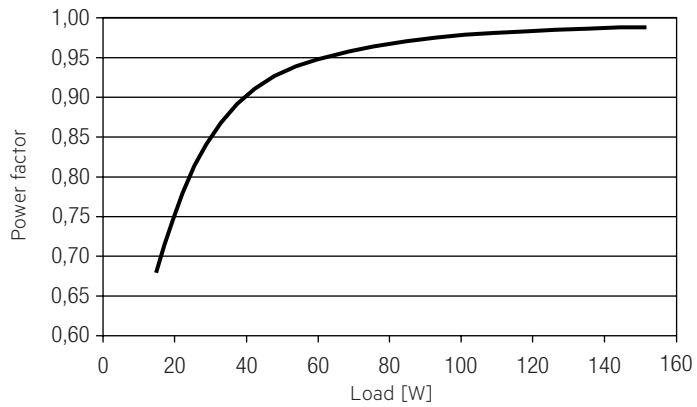
4.1 Efficiency vs. load



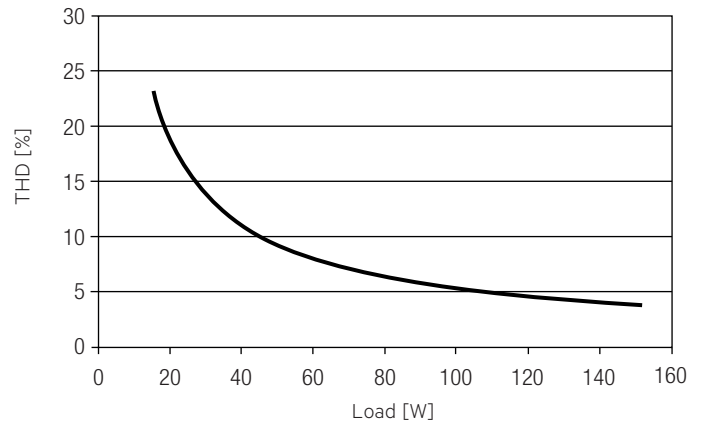
4.4 Input current vs. Load



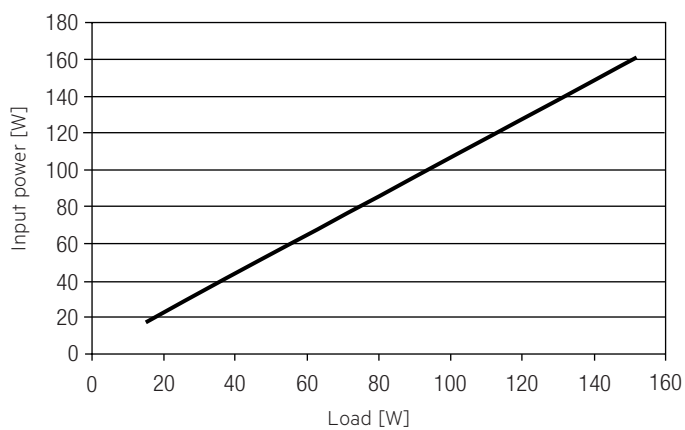
4.2 Power factor vs. Load



4.5 THD vs. Load



4.3 Input power vs. Load



4.6 Maximum loading of automatic circuit breakers

| Automatic circuit breaker type | C10 | C13 | C16 | C20 | B10 | B13 | B16 | B20 | Inrush current | |
|--------------------------------|---------------------|---------------------|---------------------|---------------------|---------------------|---------------------|---------------------|---------------------|----------------|--------|
| Installation Ø | 1.5 mm ² | 1.5 mm ² | 2.5 mm ² | 2.5 mm ² | 1.5 mm ² | 1.5 mm ² | 2.5 mm ² | 2.5 mm ² | I_{max} | time |
| LC 150/24V bDW SC PRE2 | 7 | 8 | 10 | 13 | 4 | 5 | 6 | 8 | 60.2 A | 195 µs |

Typical values for MCB from ABB series S200 as reference.
Actual values can differ due to used MCB types and installation environment.

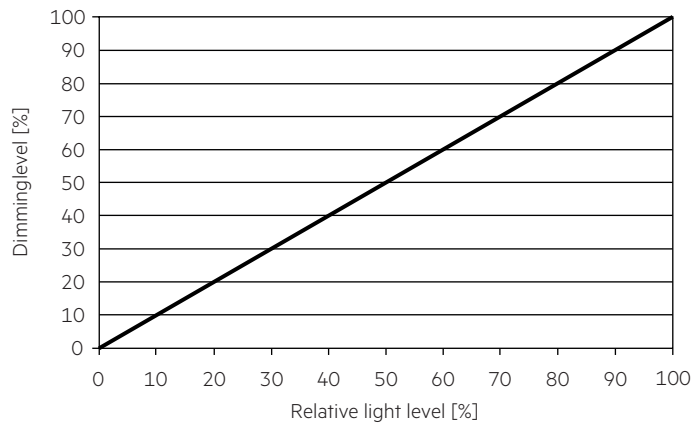
4.7 Harmonic distortion in the mains supply (at 230 V / 50 Hz and full load) in %

| | THD | 3. | 5. | 7. | 9. | 11. |
|-------------------------------|-----|----|----|----|----|-----|
| LC 150/24V bDW SC PRE2 | 4 | 4 | 3 | 1 | 1 | 1 |

4.8 Dimming

Dimming range 1% to 100 %
Digital control with:
• basicDIM Wireless

4.9 Dimming characteristics



5. Interfaces / communication

5.1 Control input

A standard push button can be connected on the input terminals.
Maximum cable length of the push button is 1 meter.
This function have to be activated before using.

The control signal is not SELV. Control cable has to be installed in accordance to the requirements of low voltage installations.
Different functions depending on each module.
Profile change see handbook https://www.tridonic.com/com/en/download/technical/Documentation_Tridonic_4remote_BT_EN.pdf

5.2 Control input ready2mains (L, N)

The digital ready2mains protocol is modulated onto the mains signal which is wired to the mains terminal (L and N).

6. Functions

6.1 ready2mains – configuration

The ready2mains interface can be used to configure the main parameters of LED Drivers via the mains wiring, such as LED output current, CLO and DC level. These parameters can be adjusted either via ready2mains-capable configuration software or directly via the ready2mains programmer (output current only).

6.2 Short-circuit behaviour

In case of a short-circuit at the LED output the LED output is switched off. After restart of the LED Driver the output will be activated again. The restart can either be done via mains reset or via software or pushBUTTON.

6.3 Overload protection

If the output voltage range is exceeded the LED Driver turns off the LED output. After restart of the LED Driver the output will be activated again. The restart can either be done via mains reset or via software or pushBUTTON.

6.4 Overtemperature protection

The LED Driver is protected against temporary thermal overheating. If the temperature limit is exceeded the output current of the LED module(s) is reduced. The temperature protection is activated above $t_{c\ max}$. The activation temperature differs depending on the LED load. On DC operation this function is deactivated to fulfill emergency requirements.

6.5 Constant light output (CLO)

The luminous flux of a LED decreases constantly over the life-time. The CLO function ensures that the emitted luminous flux remains stable. For that purpose the LED current will increase continuously over the LED life-time.
Via ready2mains it is possible to select a start value (in percent) and an expected life-time.
The LED Driver adjusts the current afterwards automatically.

6.6 Power-up/-down fading

The power-up/-down function offers the opportunity to modify the on-/off behavior. The time for fading on or off can be adjusted in a range of 0.2 to 16 seconds. According to this value, the device dims either from 0 % up to the power-on level or from the current set dim level down to 0 %.
This feature applies while operating via 4remoteBT and when switching the mains voltage on or off. By factory default no fading time is set (=0s).

6.7 Light level in DC operation

The LED Driver is designed for operation on DC voltage and pulsed DC voltage.

Light output level in DC operation: programmable 1 – 100 % (EOFu = 0.13).
Programming by ready2mains.
In DC operation dimming mode can be activated.

The voltage-dependent input current of Driver incl. LED module is depending on the used load.

6.8 Software / programming

With appropriate software and an interface different functions can be activated and various parameters can be configured in the LED Driver. To do so, a ready2mains programmer or utilityAPP is required.

7. Miscellaneous

7.1 Insulation and electric strength testing of luminaires

Electronic devices can be damaged by high voltage. This has to be considered during the routine testing of the luminaires in production.

According to IEC 60598-1 Annex Q (informative only!) or ENEC 303-Annex A, each luminaire should be submitted to an insulation test with 500 V_{DC} for 1 second. This test voltage should be connected between the interconnected phase and neutral terminals and the earth terminal.
The insulation resistance must be at least 2 MΩ.

As an alternative, IEC 60598-1 Annex Q describes a test of the electrical strength with 1500 V_{AC} (or 1.414 x 1500 V_{DC}). To avoid damage to the electronic devices this test must not be conducted.

7.2 Conditions of use and storage

Humidity: 5 % up to max. 85 %,
not condensed
(max. 56 days/year at 85 %)

Storage temperature: -40 °C up to max. +80 °C

The devices have to be acclimatised to the specified temperature range (ta) before they can be operated.

7.3 Placement

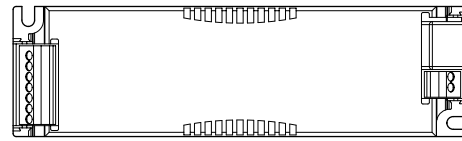
basicDIM Wireless has an integrated antenna for easy integration. In order to maximize the range in every direction some design guidelines should be taken into consideration when mounting the device.

The antenna is located on the corner of the enclosure. It is on the top side of the internal PCB (Printed Circuit Board).

When the device is mounted on a metal plate (e.g. frame of a luminaire), it may efficiently block the radio frequency signal. In this case, a cut-out underneath the antenna may be needed for the RF signal to exit the structure. The cut-out area should be as large as possible. Also the device should be placed as far away from any vertical metal structures as possible.



■ Antenna location



The range of the communication signal is depending on the environment e.g. luminaire, construction of the building, furnitures or humans and needs to be tested and approved in the installation.

7.4 Network compatibility

This Driver is fully compatible with networks which support up to 250 nodes (Evolution networks). If the Driver is used with different types of basicDIM Wireless devices in an Evolution network, their compatibility has to be checked before. If a device is not compatible with Evolution networks, it can be only used in networks which support up to max. of 127 devices (Classic networks).

7.5 Maximum number of switching cycles

All LED Driver are tested with 50,000 switching cycles.
The actually achieved number of switching cycles is significantly higher.

7.6 Additional information

Additional technical information at www.tridonic.com → Technical Data

Guarantee conditions at www.tridonic.com → Services

Life-time declarations are informative and represent no warranty claim.
No warranty if device was opened.