

Presence Switch - Professional Line

HF 180

COM2 - white

EAN 4007841 032913

Article number 032913



high-frequency
sensor 180°



max. 8 m

2000 W

2000 W max.
(LED-ready)



IP20



2 - 1000 lux



30 sec - 30 min



indoor sensor



energy saving

5 years

manufacturer's
warranty
[steinel-professional.de/garantie](https://www.steinel-professional.de/garantie)



Function description

Reliably detects through partition walls. HF 180 presence switch. The high-frequency sensor system quickly detects any movement regardless of temperature – even through partition walls, e.g. offices, entrance rooms or toilet facilities. 180° angle of coverage, up to 8 m reach. Intelligent technology, high-calibre design, easy 3-wire installation.

HF 180

COM2 - white

EAN 4007841 032913

Article number 032913



Technical specifications

Type	Presence detector
Dimensions (L x W x H)	30 x 80 x 80 mm
Mains power supply	220 – 240 V / 50 – 60 Hz
Sensor Technology	High frequency
Application, place	Indoors
Installation site	wall
Installation	Concealed wiring
Mounting height	1,20 – 2,20 m
Reach, radial	r = 8 m (101 m ²)
Reach, tangential	r = 8 m (101 m ²)
HF-system	5,8 GHz
Detection angle	180 °
Angle of aperture	140 °
Switching zones	96 switching zones
Optimum mounting height	1,2 m
Mechanical scalability	No
Sneak-by guard	Yes
Capability of masking out individual segments	No
Electronic scalability	Yes
Detection	also through glass, wood and stud walls
Twilight setting TEACH	Yes
Twilight setting	2 – 1000 lx
Time setting	30 s – 30 Min.
Output	2000 W
Switching output 1, resistive	2000 W
Switching output 1, number of LEDs / fluorescent lamps	8 pcs.

Fluorescent lamps, electronic ballast	1000 W
Fluorescent lamps, uncorrected	1000 VA
Fluorescent lamps, series-corrected	400 VA
Fluorescent lamps, parallel-corrected	500 VA
Switching output 1, low-voltage halogen lamps	2000 VA
LED lamps	100 W
LED lamps > 2 W	300 W
LED lamps > 8 W	600 W
Capacitive load in µF	176 µF
Constant-lighting control	No
Basic light level function	No
Functions	Normal / test mode, Semi-/fully automatic, Pushbutton / switch mode, Manual ON / ON-OFF
Settings via	Remote control, DIP switches, Potentiometers, Smart Remote
With remote control	No
Interconnection	Yes
Type of interconnection	Master/master, Master/slave
IP-rating	IP20
Material	Plastic
Ambient temperature	0 – 40 °C
Application, room	one-person office, corridor / aisle, function room / ancillary room, kitchenette, stairwell, WC / washroom, Indoors
Colour	white
Colour, RAL	9010
Manufacturer's Warranty	5 years
Version	COM2 - white
PU1, EAN	4007841032913

Accessories

EAN 4007841 034160	Adapter frame for IR/HF 180
EAN 4007841 034184	Adapter frame for IR/HF 180
EAN 4007841 034139	Adapter frame for IR/HF 180
EAN 4007841 559410	Service remote control RC8

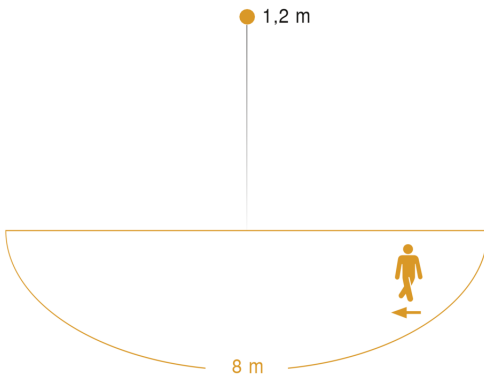
HF 180

COM2 - white

EAN 4007841 032913

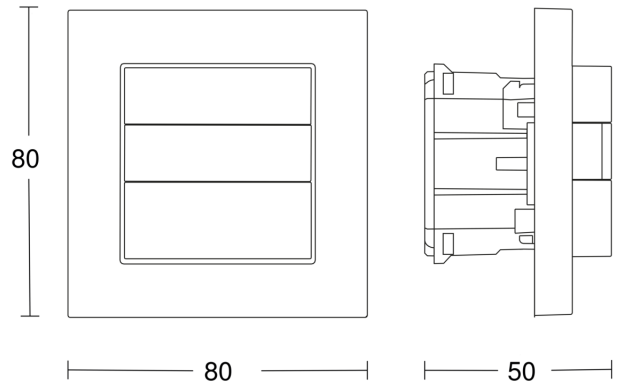
Article number 032913

Detection Zone

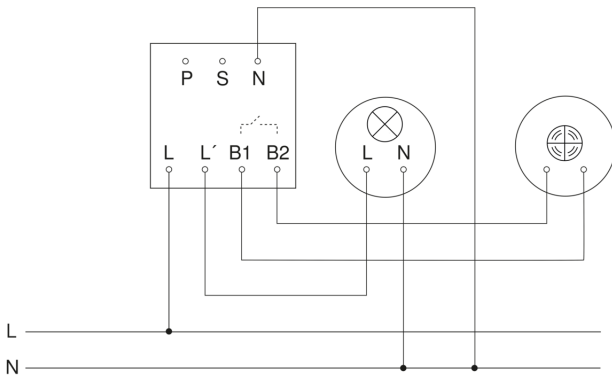


Mögliche Montagehöhe: 1,20 m – 2,20 m
Orange: tangential

Dimension Drawing



Master circuit diagram



Master/slave interconnection circuit diagram

