

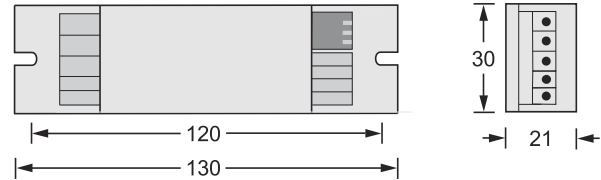
DALI switch actuator LGI-SA

06/2010

Version: **LGI-SA** Order no.: 193 332



Dimensions



All data in mm

Product features

- Switches off the power consumption of electronic control gear units during stand-by operation
- DIP-switch for selecting the connected control gear units and to select the DALI address
- Up to four DALI switch actuator can be connected in parallel to one LIGHTGATE plus controller
- Switching of the connected control gears units will be done via DALI command
- This switching output is able to carry up to 1000 VA. Due to switching in the zero point the inrush current may be neglected.
- The LIGHTGATE plus controller automatically detects the connected switch actuator

Technical data

Voltage supply via DALI interface of the controller

The voltage supply of one switching actuator LGI-SA is equal to four DALI control gear units

Switching output

Mains voltage range:	220 V – 240 V
Frequency:	50 Hz ... 60 Hz
Overvoltage protection:	250 VAC / permanent
Current carrying capacity:	max. 1000 VA

To increase the carrying capacity a power contactor can be connected to the switching output. In this case the contactor coil should be wired with a screening component.

Behaviour at interruption of DALI line last switching state remains

Limiting value t_c -temperature

$t_{c, max} = + 60 \text{ }^\circ\text{C}$
Signal and mains terminals for solid single wire conductors

Type:	90°-connector with key
Wire cross section L, L', PE:	0,2 mm ² – 1,5 mm ²
Wire cross section DALI:	0,5 mm ² – 1,5 mm ²
Wire stripping length:	7,5 mm ² – 8,5 mm ²

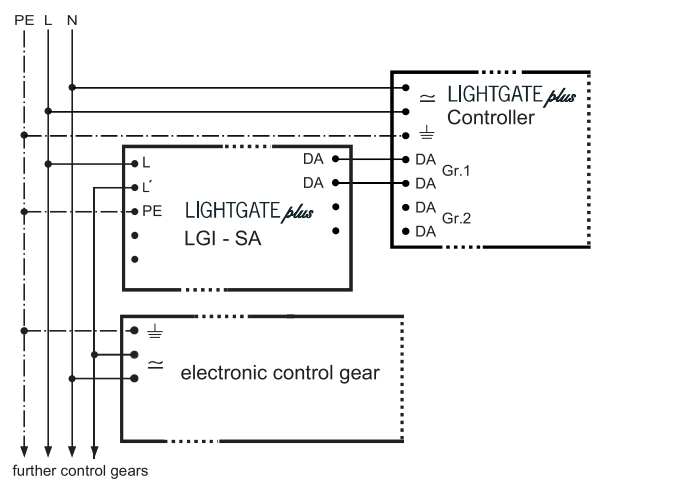
Weight 0,082 kg

DIP switches

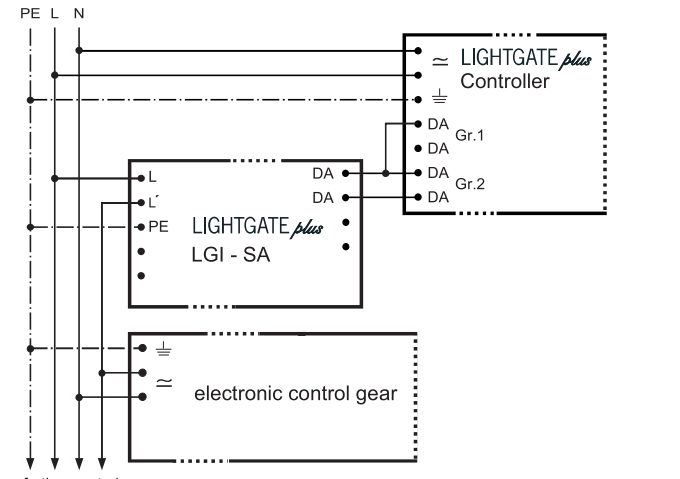
	DALI-group			
	1	2	3	4
DIP - switch 3	connected control gear: OFF = DALI ECG, ON = relais			
DIP - switch 2	OFF	ON	OFF	ON
DIP - switch 1	OFF	OFF	ON	ON

Wiring diagram

Broadcast mode



Addressing mode



DIP1 and DIP2 are without funktion

DALI group selection via DIP1 and DIP2