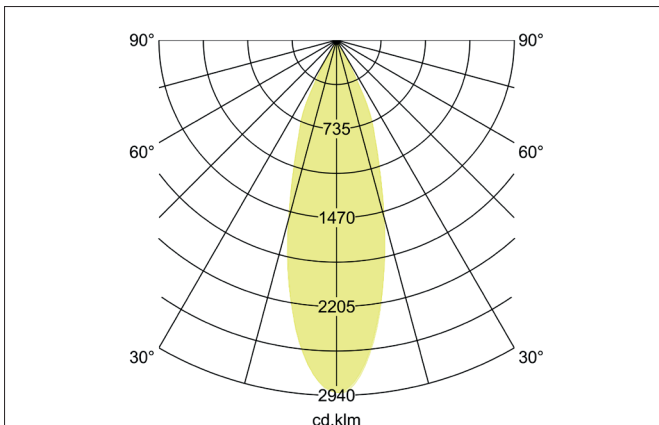
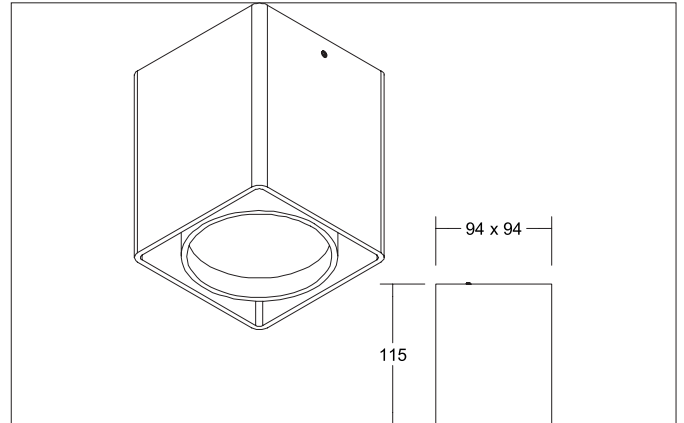


IMPLEMENT LED surface mounted downlight IMPLEMENT, dimmable**le**

Artikel-Nr. 12392173

Licht.
Für Generationen.**Tender**

LED surface mounted downlight IMPLEMENT, dimmable, white, square. Surface mounting, Ceiling-mounted. Lamp including a converter for 230-V mains voltage, trailing-edge phase. Mounting method: Surface mounting, Place of installation: Ceiling-mounted, Material: Aluminium / Plastic, Degree of protection: according to DIN EN 60529 IP20, Protection class: (EN 61140) I, Voltage: 230V AC 50Hz, Power: 8.9W, Amount of light sources / fittings: 1.0 Qty, Luminous flux: 730lm, Colour temperature: 3.000 K, Light colour : White, Beam angle: 37°, Adjustability: Not adjustable, With control gear: Yes, Control: Trailing-edge phase.

Article data	
Artikel-Nr.	12392173
GTIN	4251433925750
Series name	IMPLEMENT
Kurzbeschreibung	LED surface mounted downlight IMPLEMENT, dimmable
Material	Aluminium / Plastic
Colour	White
Shape	square
Aufbauhöhe	115 mm
scope of delivery	Incl. converter for connection to the 230-V mains voltage, dimmable
weight	0.837 kg

IMPLEMENT LED surface mounted downlight IMPLEMENT, dimmable

Artikel-Nr. 12392173

Licht.
Für Generationen.

Lighting technology	
Colour temperature	3000 K
Light colour	White
Light output	Direct
Luminous flux	730 lm
System efficiency	82 lm/W
Colour rendering	CRI > 90
Reflector	Without
Beam angle	37 °
Light sharing	Symmetric

Operating technology of the luminaires	
System output	8.9 W
Voltage type	AC
AC nominal voltage max	230 V
Frequenz max.	50 Hz
Lamp	LED
Protection class	I
Degree of protection	IP20
Control	Trailing-edge phase
Leuchtmittelwechsel möglich	ja

Mounting technology	
Mounting method	Surface mounting
Place of installation	Ceiling-mounted
Adjustability	Not adjustable

Packing data	
Gross weight	0.934 kg
Length of packaging	135 mm
Packaging width	135 mm
Packaging height	140 mm