

Sensor-switched LED outdoor light - Professional Line

# L 331 LED

Anthracite

EAN 4007841 053093

Article number 053093



LED

30 years (Ø 4,5h / day)

3000 K

3000K warm-white



infrared sensor 360°



max. 7 m



IP44



2 - 1000 lux



5 sec - 15 min



soft light start



shock proof IK10



manual override 4h

## Function description

Rugged all round. Rugged sensor-switched LED light in weatherproof plastic and impact-resistant PMMA diffuser, including additional grid guard. With its round shape, 3000 K colour temperature and 711 lm from only 8,4 W, the L 331 LED provides optimum lighting all around the building. Several lights can be interconnected by cable. Infrared mini-sensor with four programs. Angle of coverage: 360°. Reach max. 7 m.

# L 331 LED

Anthracite

EAN 4007841 053093

Article number 053093



## Technical specifications

Dimensions (L x W x H)	124 x 253 x 270 mm
Mains power supply	220 – 240 V / 50 – 60 Hz
Sensor Technology	passive infrared
Output	8,4 W
Interconnection	Yes
Type of interconnection	Master/master
Vernetzung via: Connect Bluetooth Mesh	Cable
Slave mode/selectable	No
Lichtstrom Gesamtprodukt	711 lm
Stroboskop-Effekt (SVM)	1,3 SVM
Efficiency	85 lm/W
Gesamtprodukt Effizienz	85 lm/W
Colour temperature	3000 K
Colour variation LED	SDCM3
Colour Rendering Index	= 82
With lamp	Yes, STEINEL LED system
Lamp	LED cannot be replaced
LED life expectancy (max. °C)	50000 h
LED life expectancy (25 °C)	> 60000 h
Life expectancy of power supply unit (25 °C)	> 60000 h
Base	without
LED cooling system	Passive Thermo Control
With motion detector	Yes
Detection angle	360 °
Capability of masking out individual segments	Yes

Electronic scalability	No
Mechanical scalability	No
Reach, radial	r = 2 m (13 m <sup>2</sup> )
Reach, tangential	r = 7 m (154 m <sup>2</sup> )
Continuous light	selectable, 4h
Photo-cell controller	Yes
Twilight setting	2 – 1000 lx
Time setting	5 s – 15 Min.
Basic light level function	Yes
Basic light level function time	10/30 min, all night
Functions	4 programme settings geared to practical needs, can be selected on removable sensor module
Soft light start	Yes
Impact resistance	IK10
IP-rating	IP44
Protection class	II
Ambient temperature	-20 – 35 °C
Housing material	Plastic
Cover material	Plastic, opal
Manufacturer's Warranty	5 years
Einstellungen via: Connect Bluetooth Mesh	Potentiometers
With remote control	No
Installation site	wall
Cover material	shrouds
Version	Anthracite
PU1, EAN	4007841053093

# L 331 LED

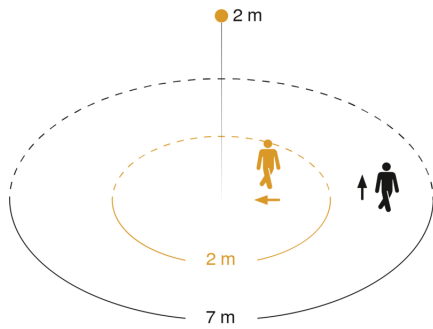
Anthracite

EAN 4007841 053093

Article number 053093



## Detection Zone

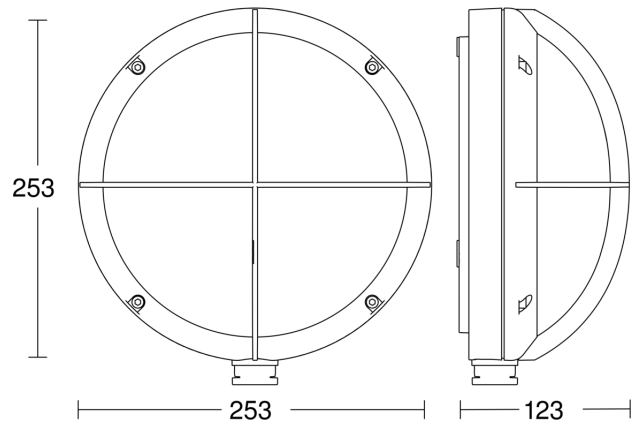


Mögliche Montagehöhe: 1,80 m – 2,50 m

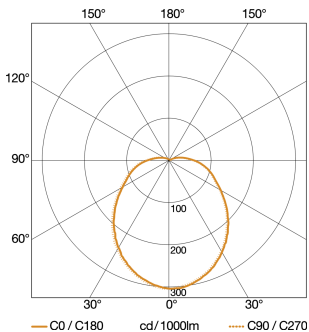
Orange: radial

Schwarz: tangential

## Dimension Drawing

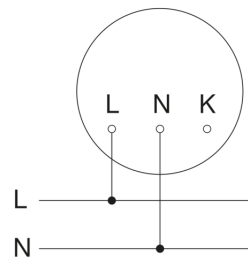


## Light Distribution Curve



<b>Output</b>	8,4 W
<b>With lamp</b>	Yes, STEINEL LED system
<b>Lamp</b>	LED cannot be replaced
<b>Luminous flux</b>	711 lm
<b>Colour temperature</b>	3000 K
<b>Colour Rendering Index</b>	= 82
<b>LED life expectancy (max. °C)</b>	50000 h
<b>LED cooling system</b>	Passive Thermo Control

## Master circuit diagram



Sensor-switched LED outdoor light - Professional Line

# L 331 LED

Anthracite

EAN 4007841 053093

Article number 053093



## Master/master interconnection circuit diagram

