

Sensor-switched LED floodlight - Professional Line

# XLED PRO ONE Plus S

Anthracite

EAN 4007841 069551

Article number 069551



LED

long life LED  
50.000 h

3000 K

3000K  
warm-white



infrared sensor  
240°



max. 10 m



IP44



Panel 180° vertical



2 - 1000 lux



8 sec - 35 min



indoor/outdoor  
light



10% basic  
brightness

## Function description

Floodlights redefined. Housed in a sophisticated aluminium enclosure, the 180° vertically swivelling floodlight XLED PRO ONE Plus S guarantees daylight-bright illumination across large areas with warm white 3000 K and 4370 lm at 33,8 W. Features include a 240° infrared sensor (10 m range), plug-in cover caps to limit the detection zone, a basic light function (10%), and an optional surface-mounting adapter. Connected by cable. Adjusted by potentiometer and remote control. Maximum mounting height: 6 m. 5-year guarantee.

# XLED PRO ONE Plus S

Anthracite

EAN 4007841 069551

Article number 069551



## Technical specifications

|   |                          |
|---|--------------------------|
| Dimensions (L x W x H)                        | 202 x 259 x 250 mm       |
| Mains power supply                            | 220 – 240 V / 50 – 60 Hz |
| Sensor Technology                             | passive infrared         |
| Output  | 33,8 W                   |
| Interconnection                               | Yes                      |
| Vernetzung via: Connect Bluetooth Mesh        | Cable                    |
| Slave modeselectable                          | No                       |
| Lichtstrom Gesamtprodukt                      | 4370 lm                  |
| Gesamtprodukt Effizienz                       | 129 lm/W                 |
| Colour temperature                            | 3000 K                   |
| Colour variation LED                          | SDCM3                    |
| Colour Rendering Index                        | 80-89                    |
| With lamp                                     | Yes, STEINEL LED system  |
| Lamp  | LED cannot be replaced   |
| LED life expectancy (max. °C)                 | 50000 h                  |
| Drop in luminous flux in accordance with LM80 | L70B10                   |
| Base  | without                  |
| LED cooling system                            | Passive Thermo Control   |
| With motion detector                          | Yes                      |
| Detection angle                               | 240 °                    |
| Angle of aperture                             | 180 °                    |
| Capability of masking out individual segments | No                       |
| Electronic scalability                        | No                       |

|                                 |   |
|---------------------------------|---|
| Mechanical scalability          | No  |
| Reach, radial                   | r = 3 m (19 m <sup>2</sup> )                                  |
| Reach, tangential               | r = 12 m (302 m <sup>2</sup> )                                |
| Photo-cell controller           | Yes   |
| Twilight setting                | 2 – 2000 lx   |
| Time setting                    | 8 s – 35 Min.   |
| Basic light level function      | Yes   |
| Basic light level function time | 10/30 min, all night  |
| Main light adjustable           | No  |
| Functions                       | DIM function, Light sensor, Motions sensor, Orientation light |
| Soft light start                | Yes   |
| Impact resistance               | IK03  |
| IP-rating                       | IP44  |
| Protection class                | I   |
| Ambient temperature             | -20 – 40 °C   |
| Housing material                | Aluminium   |
| Cover material                  | Glass transparent   |
| Manufacturer's Warranty         | 5 years   |
| Settings via                    | Remote control, Potentiometers, App                           |
| Installation site               | ceiling, wall   |
| Cover material                  | shrouds   |
| Version                         | Anthracite  |
| PU1, EAN                        | 4007841069551   |

## Accessories

EAN 4007841 080983 Surface mount adapter XLED PRO ONE Plus + Max

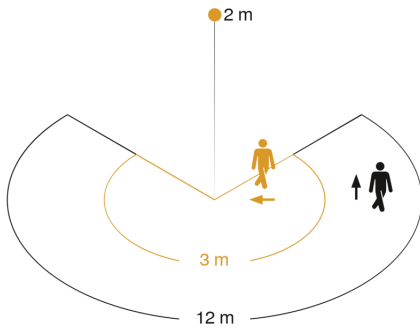
# XLED PRO ONE Plus S

Anthracite

EAN 4007841 069551

Article number 069551

## Detection Zone

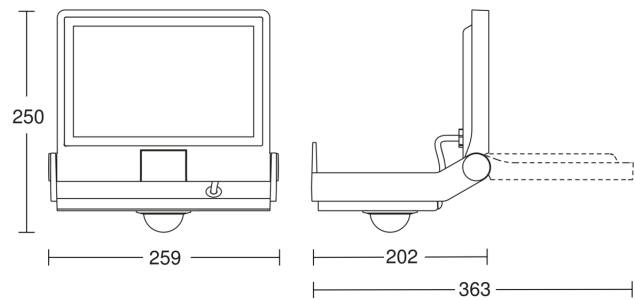


Mögliche Montagehöhe: 1,80 m – 6,00 m

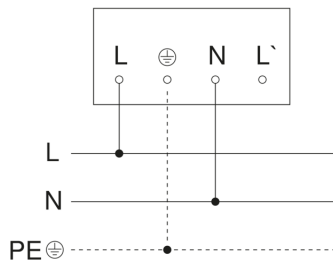
Orange: radial

Schwarz: tangential

## Dimension Drawing



## Master circuit diagram



## Master/slave interconnection circuit diagram

