

ID LCCB 150/230/200-900 DALI NFC FV1

Built-in non isolated adjustable power LED driver
Support DALI-2, Push-Dimming
NFC control adjusts the current
Flicker free LED driver
Output current 200-900mA
Max. output power 150W
Constant lumen output(CLO)
For luminaries of protection class I
5-year warranty



ELECTRICAL SPECIFICATIONS

Rated input voltage range:	220 ... 240 Vac				
Max. input voltage range:	198 ... 264 Vac				
DC voltage range :	198 ... 250 Vdc				
Max.DC voltage range :	176 ... 276 Vdc				
Rated frequency range:	0 / 50 / 60 Hz				
Max. input current:	0.85 A @ 230 Vac				
Total harmonic distortion (max.):	≤ 20 % at rated input voltage range @ full load				
MCB Loading Quantity:	Inrush current Ipeak: 40A		Inrush current Twidth: 376us		
	MCB Type:	B10	C10	B16	C16
	Qty (PCS)	4	6	6	11
Output current tolerance:	± 5 % at rated input voltage range				
No load output voltage:	≤ 300 Vdc				
Ripple output current:	≤ 5%				
Standby power consumption:	≤ 0.5W				
Output PST:	≤1 at full load @ rated input voltage				
Output SVM:	≤0.4 at full load @ rated input voltage				
Dimming:	Dimming mode:	DALI-2,Push-Dimming			
	Dimming method:	amplitude dimming			
	Dimming current range:	1%~100%			
Set output current:	NFC control adjusts the current; 200-900mA				
Default current:	517mA				
Withstand voltage:	I/P-FG: 1.5 kVac, < 5 mA 60 sec				
Mains surge immunity:	L-N:4kV, L/N-FG:4kV				
Noise level:	<20dB,at full load @100cm distance				
Connection terminal type:	0° push in terminal				
Wire cross section:	Input and output wire: 0.5 - 1.5 mm ²				
Wire stripping length:	8-9mm				
Protection rating:	IP 20				

Protection:	Over voltage protection: The output voltage is less than or equal to 300V
	Over power protection: The output power is less than or equal to 170W
	No output short circuit protection function

ELECTRICAL SPECIFICATIONS

Supplementary instruction:	<p>1. The luminaire manufacturer is responsible for measuring and verifying EMI compliance of the complete luminaire as the level of radio interference will vary depending on the luminaire construction. Especially primary and secondary cable lengths and their routing may have a significant effect on radio interference.</p> <p>2. For Push-dim function: Please follow up our instruction which can be downloaded from https://pro6e7b4a-pic48.websiteonline.cn/upload/CupowerPushDimManualV7042022.pdf</p>
----------------------------	---------------------------------------------------------------------------------------------------------------------------------------------------------------------------------------------------------------------------------------------------------------------------------------------------------------------------------------------------------------------------------------------------------------------------------------------------------------------------------------------------------------------------------------------------------------------------------------------------------------------

ENVIRONMENTAL SPECIFICATIONS

Operating temperature:	-40 to 65°C
Storage temperature:	-40 to 80°C
Working humidity:	10 % to 90 %
Store humidity:	5 % to 90 %
Driver lifetime:	at Tc ≤85°C: 50,000 hrs; at Tc ≤75°C: 100,000 hrs; @230Vac
Maximum Tc temperature:	85°C

PRODUCT SPECIFICATIONS

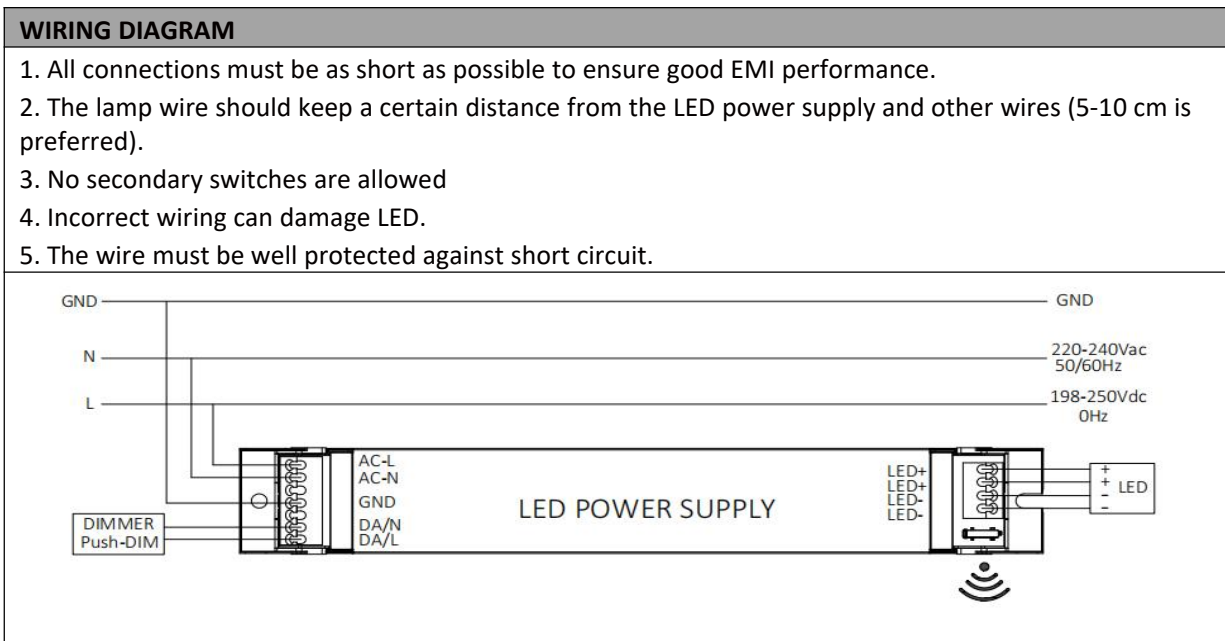
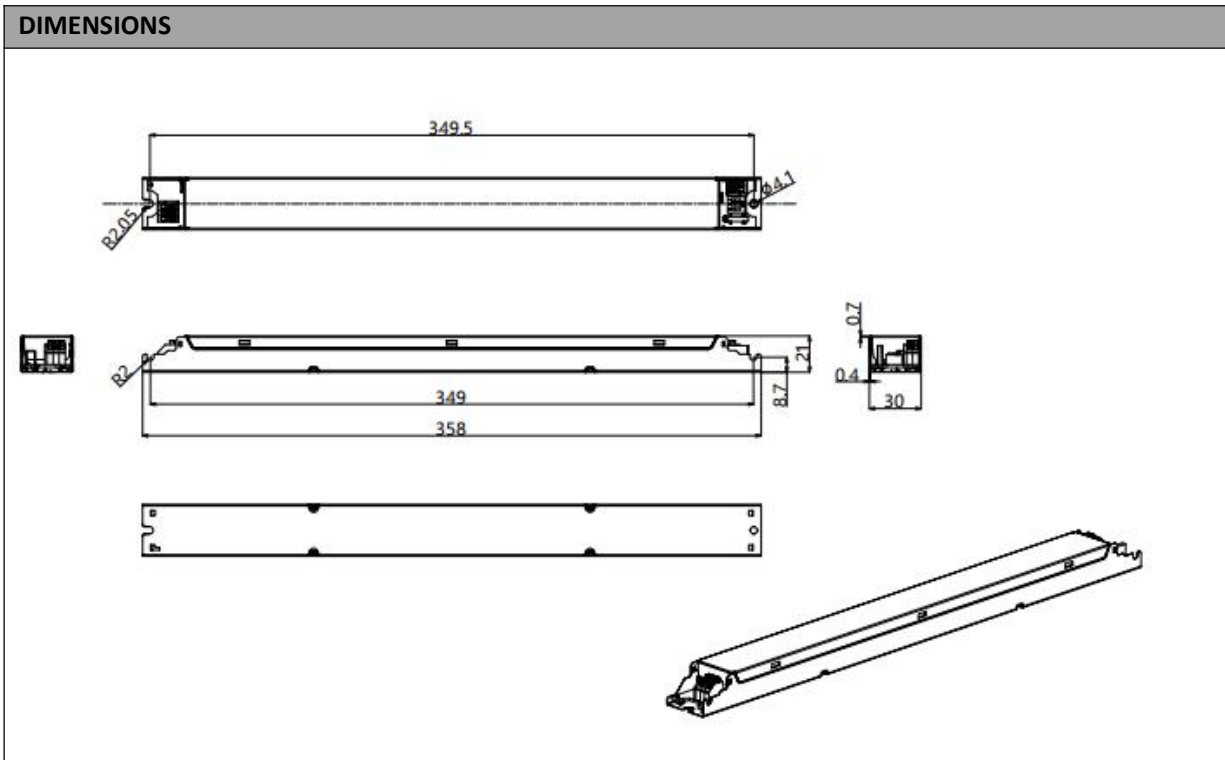
Model Number (Full Model)	Output Current	Input Voltage	Output Voltage	Efficiency @full load	Current Accuracy	Power Factor	Dimension L*W*H (mm)
ID LCCB 150/230/200- 900 DALI NFC FV1	200- 900mA	220-240Vac 198-250Vdc	64-290 Vdc	94%	±5%	≥0.9	L358*W30*H21

SAFETY AND EMC COMPLIANCE

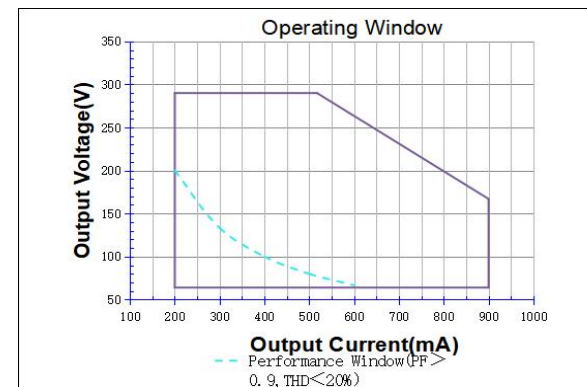
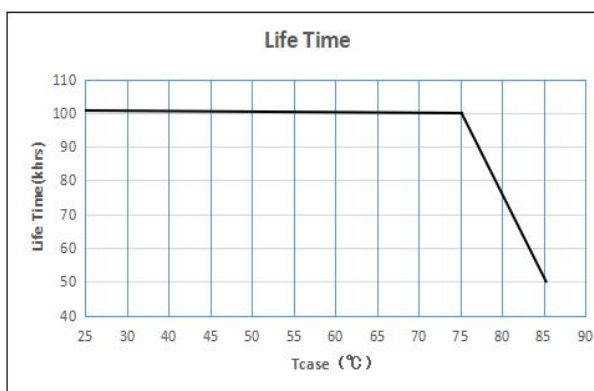
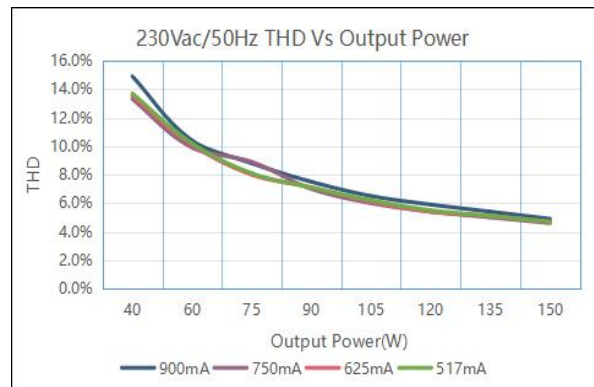
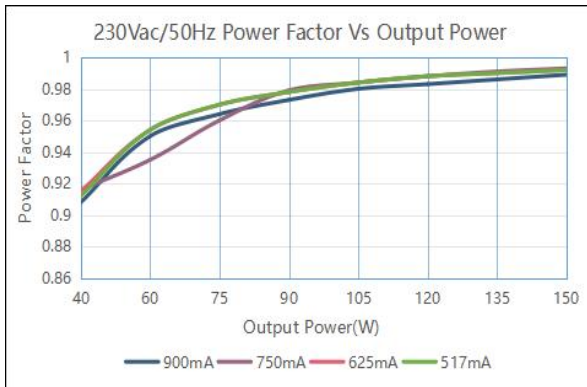
ENEC +CE	EN 61347-1:2015/A1:2021	CCC	/	SAA	/
	EN 61347-2-13:2014/A1:2017		/		/
	EN IEC 62384:2020		/		/
	EN 300 330 V2.1.1:2017		/		/
	EN 62479:2010		/		/
	EN 50663:2017		/		/
	EN 301 489-1V2.2.3:2019		/		/
	EN 301 489-3V2.1.1:2019		/		/
	EN IEC 55015:2019		/		/
	EN IEC55015:2019/A11:2020		/		/
	EN 61547:2009		/		/
	EN IEC 61000-3-2:2019/A1:2021		/		/
	EN 61000-3-3:2013/A2:2021		/		/
	EN61347-1:2015/A1:2021		/		/
EN 61347-2-13:2014/A1:2017	/	/			

PHYSICAL DIMENSIONS	
Length (L):	358 mm
Width (W):	30 mm
Height (H):	21 mm

PACKAGING	
0.317 kg / unit	40 pcs / carton
Carton size:	377 x 310 x 115mm
Carton weight:	12.7 kg



TECHNICAL INFORMATION



It's important to set output current (AOC value) according to LEDs voltage, make sure the power is within 150W +5%

Example of AOC settings

V_LED (Vdc)	AOC_max	P_out (W)
167	900mA	150
200	750mA	150
240	625mA	150
290	517mA	150