

Sensor-switched LED outdoor light

L 840 SC

Silver

EAN 4007841 055547

Article number 055547



LED

30 years (Ø 4,5h / day)

3000 K

3000K warm-white



intelligent high frequency sensor 160°



1 - 5 m



IP44



2 - 2000 lux



5 sec - 60 min



soft light start



manual override 4h



energy saving

Function description

Digital. Interconnected. Intelligent. The L 830/835/840 range of sensor-switched lights captivates with a classy look and embellishes any building. With concealed 160° iHF sensor (5 m reach) that only responds to human movement. Night-light function, soft light start and 4-hour manual override (3000 K). Wireless interconnection via Bluetooth, any chosen settings via STEINEL app. Three design options. Available in anthracite or silver.

Sensor-switched LED outdoor light

L 840 SC

Silver
 EAN 4007841 055547
 Article number 055547

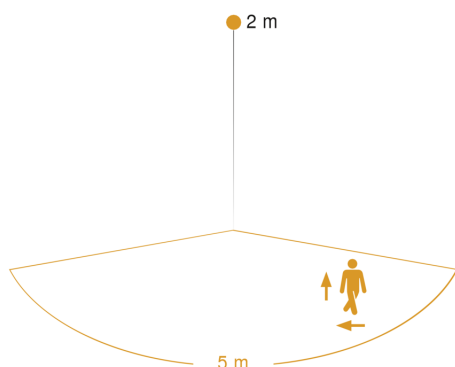


Technical specifications

| | |
|---|---|
| Dimensions (L x W x H) | 134 x 110 x 110 mm |
| Mains power supply | 220 – 240 V / 50 – 60 Hz |
| Sensor Technology | iHF (intelligent high-frequency technology) |
| Output | 9,1 W |
| Interconnection | Yes |
| Vernetzung via: Connect Bluetooth Mesh | Bluetooth |
| Slave modeselectable | Yes |
| Lichtstrom Gesamtprodukt | 319 lm |
| Gesamtprodukt Effizienz | 35 lm/W |
| Colour temperature | 3000 K |
| Colour Rendering Index | 80-89 |
| With lamp | Yes, STEINEL LED system |
| Lamp | LED cannot be replaced |
| LED life expectancy (max. °C) | 50000 h |
| LED life expectancy (25 °C) | > 60000 h |
| Base | without |
| LED cooling system | Passive Thermo Control |
| With motion detector | Yes |
| Detection angle | 160 ° |
| Angle of aperture | 160 ° |
| Capability of masking out individual segments | Yes |
| Electronic scalability | Yes |

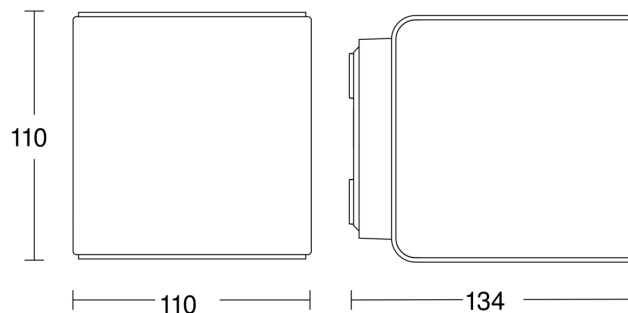
| | |
|---------------------------------|--|
| Mechanical scalability | Yes |
| Continuous light | selectable, 4h |
| Photo-cell controller | Yes |
| Twilight setting | 2 – 2000 lx |
| Time setting | 5 s – 60 Min. |
| Basic light level function | Yes |
| Basic light level function time | 10/30 min, all night |
| Main light adjustable | 10 - 100 % |
| Functions | Motions sensor, Selecting programmed lighting scenarios, Lighting scenario, Night economy mode |
| Soft light start | Yes |
| Impact resistance | IK03 |
| IP-rating | IP44 |
| Protection class | II |
| Ambient temperature | -20 – 40 °C |
| Housing material | Plastic |
| Cover material | Plastic, opal |
| Manufacturer's Warranty | 3 years |
| Settings via | Bluetooth, App, Smartphone |
| With remote control | No |
| Installation site | wall |
| Version | Silver |
| PU1, EAN | 4007841055547 |

Detection Zone



Mögliche Montagehöhe: 1,80 m – 2,50 m
 Orange: radial und tangential

Dimension Drawing

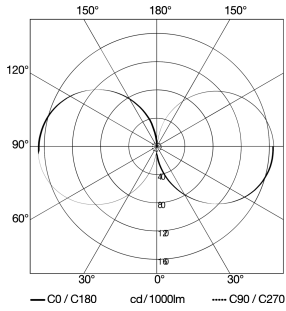


L 840 SC

Silver
EAN 4007841 055547
Article number 055547

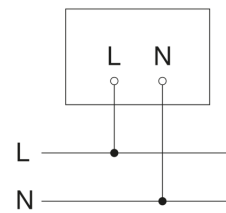


Light Distribution Curve



| | |
|-------------------------------|-------------------------|
| Output | 9,1 W |
| With lamp | Yes, STEINEL LED system |
| Lamp | LED cannot be replaced |
| Luminous flux | 319 lm |
| Colour temperature | 3000 K |
| Colour Rendering Index | 80-89 |
| LED life expectancy (max. °C) | 50000 h |
| LED cooling system | Passive Thermo Control |

Master/slave interconnection circuit diagram



Master/master interconnection circuit diagram

