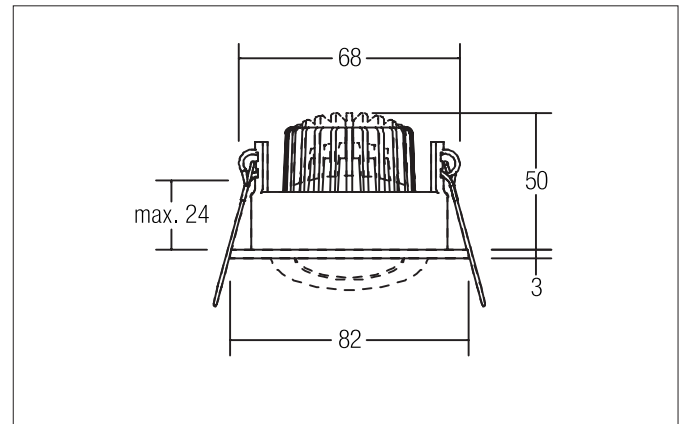


LED recessed spot, IP65, dim2warm
 Artikel-Nr. 12443073

Licht.
 Für Generationen.



Tender

LED recessed spot, IP65, dim2warm, white, round. In a compact design, for installation in tool-less rapid assembly systems. If the lamp is dimmed, the color temperature is reduced. Lamp holder: Plug&Play, Mounting method: Recessed mounting, Place of installation: Ceiling-mounted, Material: Aluminium / Steel / Silicone rubber / Plastic, Degree of protection: according to DIN EN 60529 IP65, Protection class: (EN 61140) III, Current: 350 mA, Power: 6W, Amount of light sources / fittings: 1.0 Qty, Luminous flux: 460lm, Colour temperature: from 1.800 K up to 3.000 K, Beam angle: 38°, Adjustability: Pivoted, With control gear: No, Control: Dimming depending on driver.

Article data	
Artikel-Nr.	12443073
GTIN	4251433914334
Kurzbeschreibung	LED recessed spot, IP65, dim2warm
Material	Aluminium / Steel / Silicone rubber / Plastic
Colour	White
Type of surface	Matt
Shape	round
Outer diameter	82 mm
Built-in diameter	68 mm
Installation depth	50 mm
weight	0.166 kg

LED recessed spot, IP65, dim2warm

Artikel-Nr. 12443073

Licht.
Für Generationen.

Lighting technology	
Colour temperature	3000 K - 1800 K
Light colour	White
Light output	Direct
Luminous flux	460 lm
System efficiency	77 lm/W
Colour rendering	CRI > 90
Reflector	High-gloss
Beam angle	38 °
Light sharing	Symmetric

Operating technology of the luminaires	
System output	6 W
Voltage type	DC
Current	350 mA
Lamp	LED
Lamp holder	Plug&Play
Protection class	III
Degree of protection	IP65
Converter - possible luminaire 1 pc.	17662 17613 17621 17663 17652 17640 17657 17683 17648 17671 17672
Control	Dimming depending on driver
Leuchtmittelwechsel möglich	ja

Mounting technology	
Mounting method	Recessed mounting
Place of installation	Ceiling-mounted
Adjustability	Pivoted
Swivel angle	30°
stamp	MM
Further references	No cover with thermal insulation material
Material cover	Plastic, transparent

Packing data	
Gross weight	0.198 kg
Length of packaging	105 mm
Packaging width	60 mm
Packaging height	90 mm

LED recessed spot, IP65, dim2warm

Artikel-Nr. 12443073

Licht.
Für Generationen.

Accessories	
	Artikel-Nr.: 17662020 Kurzbeschreibung: LED converter 350 mA, on/off Leistung: 1 - 7,2 W Abmessung: 68 mm x 35 mm x 21 mm
	Artikel-Nr.: 17613000 Kurzbeschreibung: LED converter 350 mA, on/off Leistung: 1 - 15 W Abmessung: 115 mm x 34 mm x 19 mm
	Artikel-Nr.: 17621020 Kurzbeschreibung: LED converter 350 mA, on/off Leistung: 1 - 21 W Abmessung: 128 mm x 50 mm x 13 mm
	Artikel-Nr.: 17663020 Kurzbeschreibung: LED converter 350 mA, trailing-edge phase dimmable Leistung: 2,8 - 7 W Abmessung: 110 mm x 50 mm x 19 mm
	Artikel-Nr.: 17652020 Kurzbeschreibung: LED-round converter 350 mA, phase dimmable Leistung: 4,9 - 7 W Abmessung: 24 mm
	Artikel-Nr.: 17640020 Kurzbeschreibung: LED converter 350 mA, trailing-edge phase dimmable Leistung: 4,2 - 10 W Abmessung: 102 mm x 38 mm x 21 mm
	Artikel-Nr.: 17657000 Kurzbeschreibung: LED converter 350 mA, 1-10 V dimmable (analog) Leistung: 5,2 - 18 W Abmessung: 110.5 mm x 52 mm x 22 mm
	Artikel-Nr.: 17683020 Kurzbeschreibung: LED converter 350 mA, DALI dimmable (digital) Leistung: 3,5 - 17 W Abmessung: 110.5 mm x 52 mm x 22 mm
	Artikel-Nr.: 17648020 Kurzbeschreibung: LED converter 350 mA, trailing-edge phase dimmable Leistung: 0,7 - 17 W Abmessung: 166 mm x 46 mm x 34 mm
	Artikel-Nr.: 17671020 Kurzbeschreibung: LED converter 350mA, ZigBee dimmable Leistung: 3,5 - 18,5 W Abmessung: 146.5 mm x 44 mm x 30 mm
	Artikel-Nr.: 17672020 Kurzbeschreibung: LED converter 350mA, Casambi dimmable Leistung: 3,5 - 18 W Abmessung: 146.5 mm x 44 mm x 30 mm