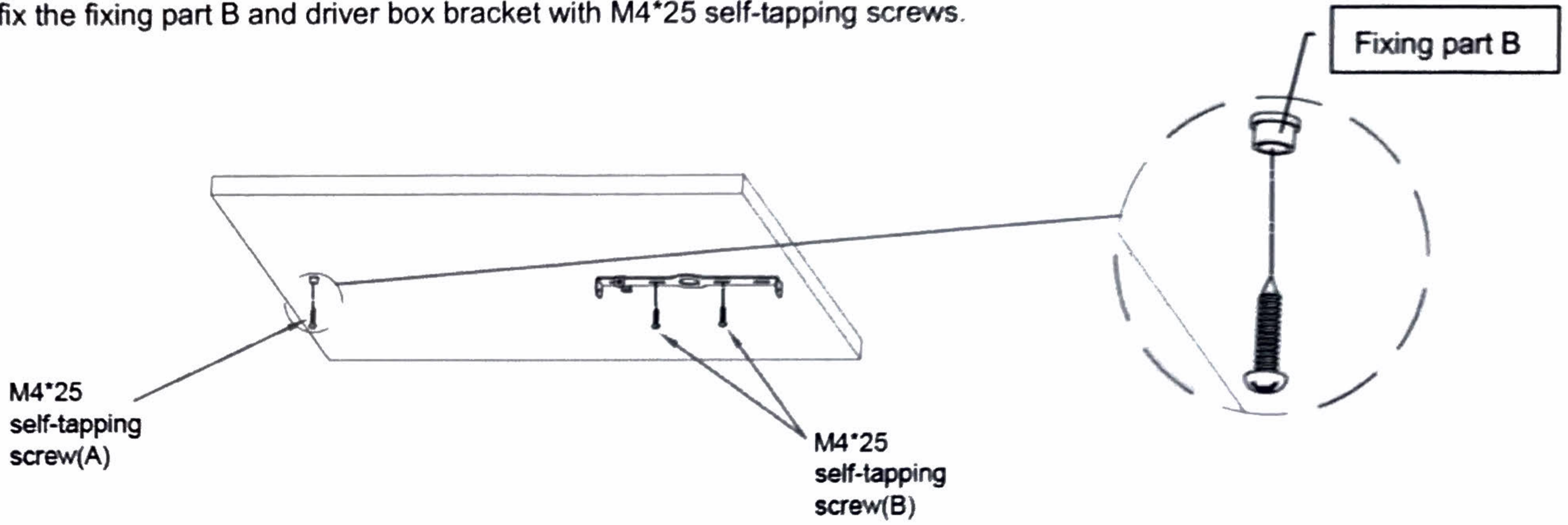
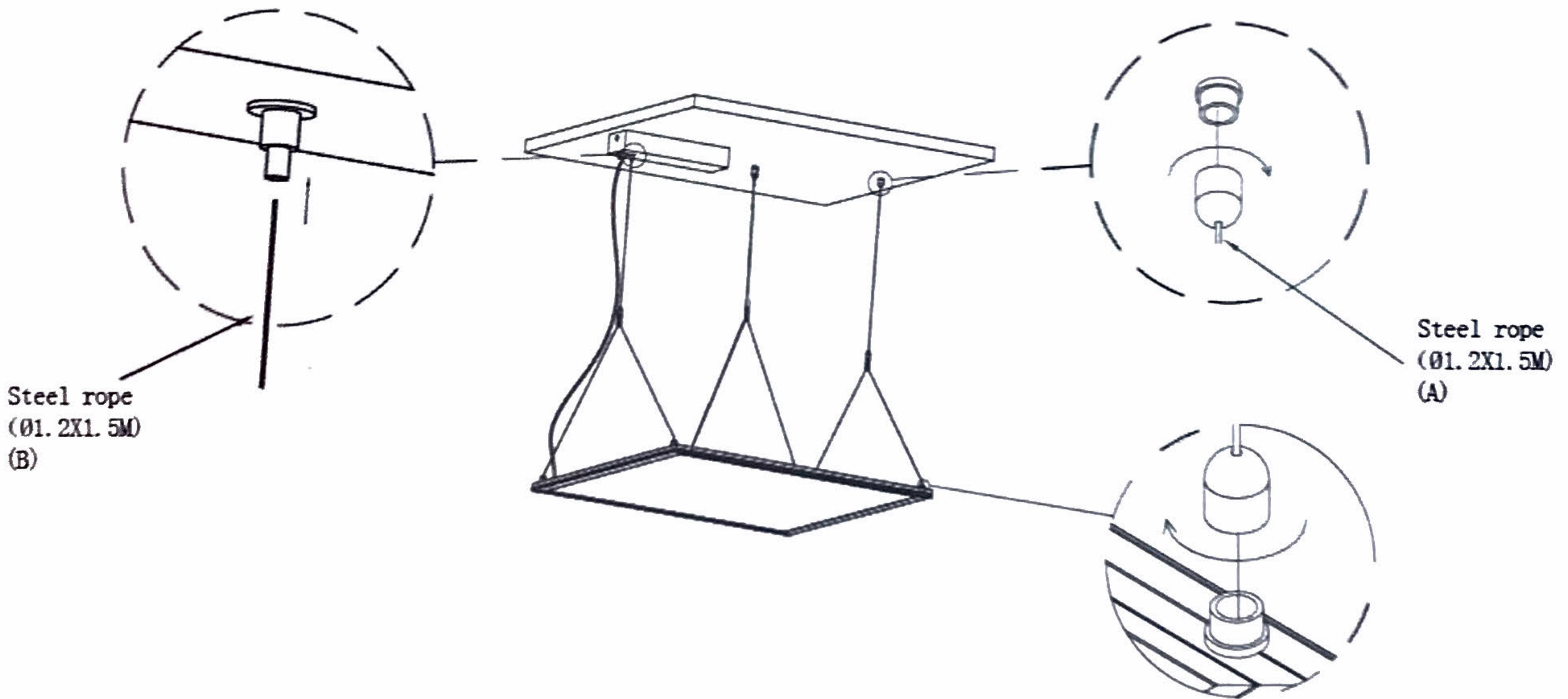


### Installation Steps:

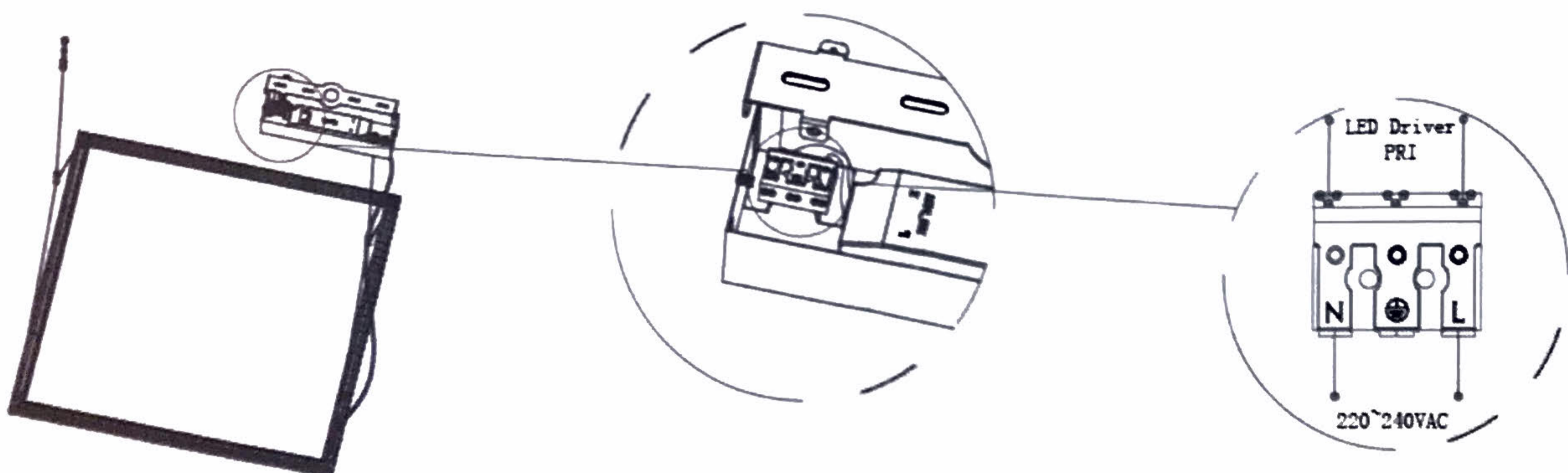
1. Drill three  $\varnothing 5$  holes in the ceiling, including 2 holes for driver box bracket, then knock the plastic expansion screws, fix the fixing part B and driver box bracket with M4\*25 self-tapping screws.



2. As shown in the following illustration, firstly, penetrate the steel rope B into regulator, and then turn fixing part A to fixing part B in the ceiling and 6 positions in the up side of the fixture.

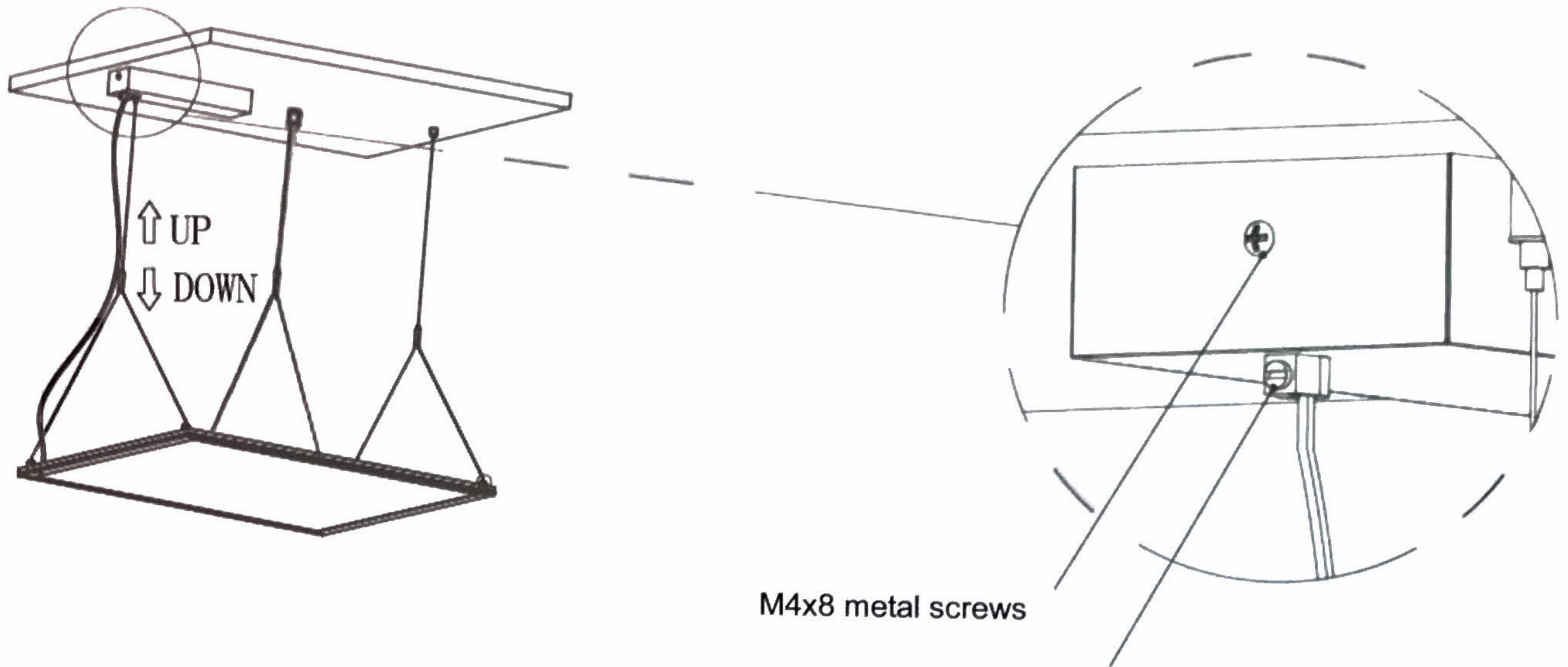


3. connect commercial power wires to junction box.





4. Lock the driver box and its bracket with M4 screws, adjust the steel rope and electrical wire to the suitable height.



loosen M4 plastic screws to adjust the length of the wire

5. Finally, use cable clamp to tighten the steel rope and electrical wire, showed in the picture as below.

