

Motion detector - Professional Line

IS 2180-2

black

EAN 4007841 603717

Article number 603717



infrared sensor
180°



max. 12 m

1000 W

1000 W max.
(LED-ready)



IP54



2 - 2000 lux



5 sec - 15 min



Ideal 2 m



energy saving

5 years



manufacturer's
warranty
[steinel-professional.de/garantie](https://www.steinel.de/garantie)

Function description

Attractive, clever, efficient. Infrared motion detector IS 2180-2 for outdoors, ideal for building fronts and properties, medium-sized business and outdoor spaces, ideal installation height 2 m, 180° angle of coverage, reach. 12 m max. or 5 m max. (tangential), selectable time and twilight threshold, manual override, including corner wall mount for external and internal corner.

IS 2180-2

black
 EAN 4007841 603717
 Article number 603717



Technical specifications

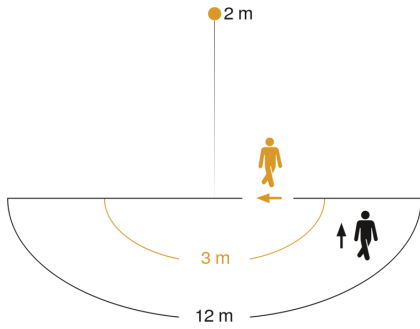
Type	Motion detectors
Dimensions (L x W x H)	55 x 78 x 120 mm
Mains power supply	230 – 240 V / 50 Hz
Sensor Technology	passive infrared
Application, place	Outdoors, Indoors
Installation site	wall, corner
Installation	Surface wiring
Mounting height	1,80 – 4,00 m
Reach, radial	$r = 1.5 \text{ m} (4 \text{ m}^2) / r = 3 \text{ m} (14 \text{ m}^2)$
Reach, tangential	$r = 5 \text{ m} (39 \text{ m}^2) / r = 12 \text{ m} (226 \text{ m}^2)$
Detection angle	180 °
Angle of aperture	90 °
Switching zones	504 switching zones
Optimum mounting height	2 m
Mechanical scalability	No
Sneak-by guard	Yes
Capability of masking out individual segments	Yes
Electronic scalability	No
Twilight setting TEACH	No
Twilight setting	2 – 2000 lx
Time setting	5 s – 15 Min.
Output	1000 W
Switching output 1, resistive	1000 W
Switching output 1, number of LEDs / fluorescent lamps	6 pcs.

Fluorescent lamps, electronic ballast	1000 W
Fluorescent lamps, uncorrected	500 VA
Fluorescent lamps, series-corrected	406 VA
Fluorescent lamps, parallel-corrected	406 VA
Switching output 1, low-voltage halogen lamps	1000 VA
LED lamps	16 W
LED lamps > 2 W	64 W
LED lamps > 8 W	64 W
Capacitive load in μF	132 μF
Constant-lighting control	No
Basic light level function	No
Settings via	Potentiometers
With remote control	No
Interconnection	Yes
Type of interconnection	Master/master
IP-rating	IP54
Material	Plastic
Ambient temperature	-20 – 50 °C
Application, room	outdoors, front door, all round the building, terrace / balcony, courtyard & driveway
Colour	black
Colour, RAL	9005
Manufacturer's Warranty	5 years
Version	black
PU1, EAN	4007841603717

IS 2180-2

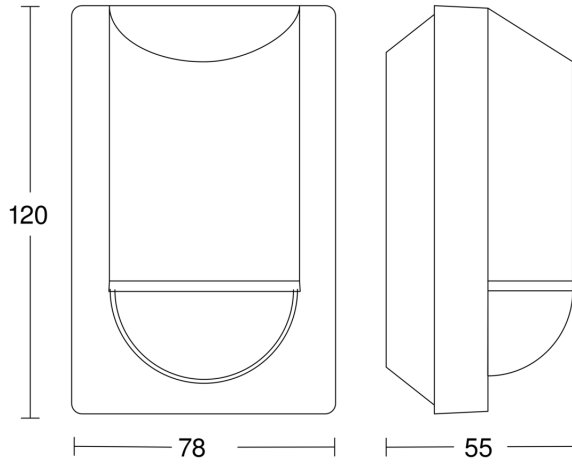
black
 EAN 4007841 603717
 Article number 603717

Detection Zone

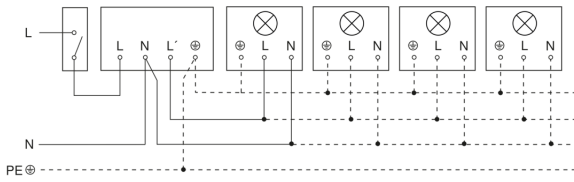


Mögliche Montagehöhe: 1,80 m – 4,00 m
 Orange: radial
 Schwarz: tangential

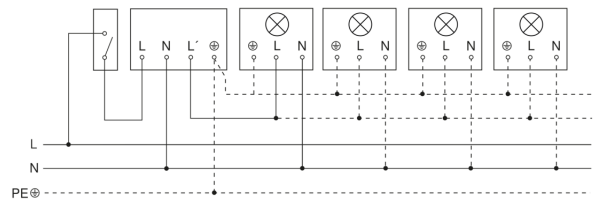
Dimension Drawing



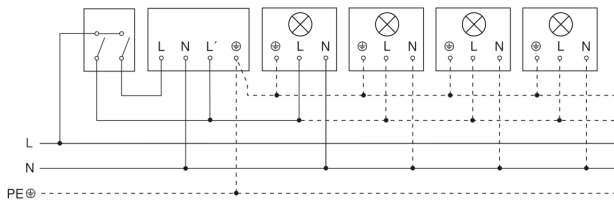
Light without neutral conductor



Light with neutral conductor



Connection using two-circuit switch for manual and automatic operation



Connection via a two-way switch for manual override and automatic operation

