

Motion detector

IS 180-2

Anthracite

EAN 4007841 034580

Article number 034580



infrared sensor
180°



max. 12 m

1000 W

1000 W max.
(LED-ready)



IP54



2 - 2000 lux



5 sec - 15 min



Ideal 2 m



energy saving

3 years

manufacturer's
warranty
[steinel.de/garantie3y](https://www.steinel.de/garantie3y)



CE

Function description

Homeowner's darling. Infrared wall sensor IS 180-2, for indoors and out, ideal for expansive building fronts and driveways, corner wall bracket for corner mounting available as accessory, 180° angle of coverage, reach can be set up to 12 m or up to 5 m, selectable time and twilight threshold, detection zone can be customised with shrouds.

Motion detector

IS 180-2

Anthracite

EAN 4007841 034580

Article number 034580



Technical specifications

Type	Motion detectors	Fluorescent lamps, uncorrected	500 VA
Dimensions (L x W x H)	56 x 76 x 120 mm	Fluorescent lamps, series-corrected	406 VA
Mains power supply	230 V / 50 Hz	Fluorescent lamps, parallel-corrected	406 VA
Sensor Technology	passive infrared	Switching output 1, low-voltage halogen lamps	1000 VA
Application, place	Indoors, Outdoors	LED lamps	16 W
Installation site	wall, corner	LED lamps > 2 W	64 W
Installation	Surface wiring	LED lamps > 8 W	64 W
Mounting height	1,80 – 4,00 m	Capacitive load in μF	132 μF
Reach, tangential	$r = 5 \text{ m} (39 \text{ m}^2) / r = 12 \text{ m} (226 \text{ m}^2)$	Constant-lighting control	No
Detection angle	180 °	Basic light level function	No
Angle of aperture	90 °	Settings via	Potentiometers
Switching zones	504 switching zones	With remote control	No
Optimum mounting height	2 m	Interconnection	Yes
Mechanical scalability	No	Type of interconnection	Master/master
Sneak-by guard	Yes	IP-rating	IP54
Capability of masking out individual segments	Yes	Material	Plastic
Electronic scalability	No	Ambient temperature	-20 – 50 °C
Twilight setting TEACH	No	Application, room	outdoors, front door, all round the building, terrace / balcony, courtyard & driveway
Twilight setting	2 – 2000 lx	Colour	Anthracite
Time setting	5 s – 15 Min.	Colour, RAL	7016
Output	1000 W	Manufacturer's Warranty	3 years
Switching output 1, resistive	1000 W	Version	Anthracite
Switching output 1, number of LEDs / fluorescent lamps	6 pcs.	PU1, EAN	4007841034580
Fluorescent lamps, electronic ballast	1000 W	Technology, sensors	passive infrared, Light sensor

Motion detector

IS 180-2

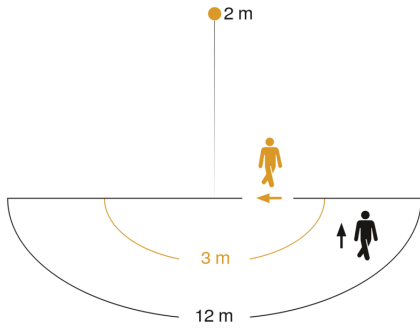
Anthracite

EAN 4007841 034580

Article number 034580



Detection Zone

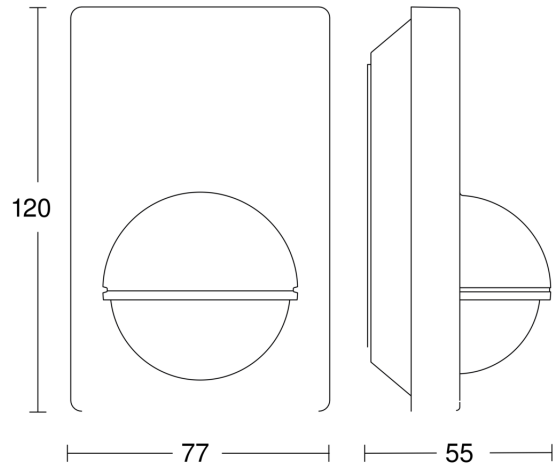


Mögliche Montagehöhe: 1,80 m – 4,00 m

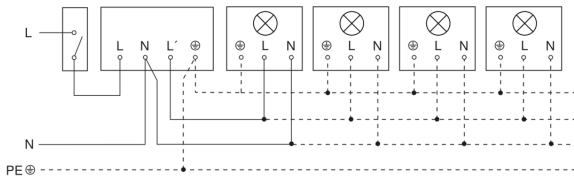
Orange: radial

Schwarz: tangential

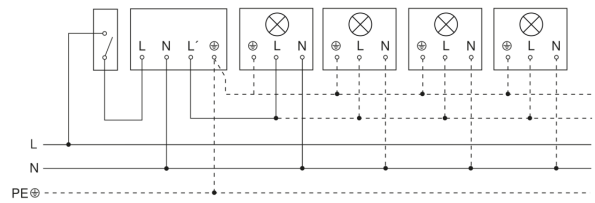
Dimension Drawing



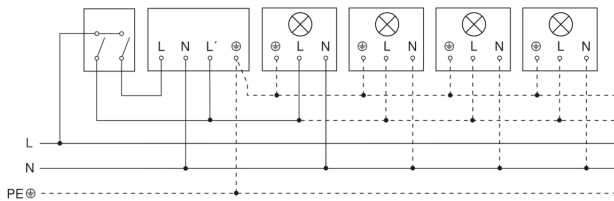
Light without neutral conductor



Light with neutral conductor



Connection using two-circuit switch for manual and automatic operation



Connection of 4-fold push-button coupler to DALI2 APC

