

Presence detector - Professional Line

IR Quattro HD 24m

COM1 - concealed white

EAN 4007841 002794

Article number 002794



infrared sensor
360°



max. 8 x 8 m
presence

HD

4800 zones

2000 W

2000 W max.
(LED-ready)



ideal 2,5 - 10 m



indoor sensor

iQ

iQ-mode



energy saving

5 years

manufacturer's
warranty
steinel-professional.de/garantie



CE

Function description

Detection no finer! Infrared presence detector Presence Control PRO IR Quattro HD COM1 for indoors, ideal for medium to large-size offices, conference and meeting rooms, classrooms and lecture theatres, sports halls and warehouses, installation height up to 10 m, for switching light 'ON' and 'OFF', 4800 switching zones for the ultimate in detection quality, presence detection over a true 64 m², square detection zone, mechanically scalable.

IR Quattro HD 24m

COM1 - concealed white

EAN 4007841 002794

Article number 002794



Technical specifications

| | |
|---|---------------------------------|
| Type | Presence detector |
| Dimensions (L x W x H) | 70 x 120 x 120 mm |
| Mains power supply | 230 V / 50 – 60 Hz |
| Sensor Technology | passive infrared |
| Application, place | Indoors |
| Installation site | ceiling |
| Installation | Concealed wiring |
| Mounting height | 2,50 – 10,00 m |
| Reach, radial | 8 x 8 m (64 m ²) |
| Reach, tangential | 20 x 20 m (400 m ²) |
| Reach, presence | 8 x 8 m (64 m ²) |
| Detection angle | 360 ° |
| Angle of aperture | 160 ° |
| Switching zones | 4800 switching zones |
| Optimum mounting height | 2,8 m |
| Mechanical scalability | Yes |
| Sneak-by guard | Yes |
| Capability of masking out individual segments | No |
| Electronic scalability | No |
| Twilight setting TEACH | Yes |
| Twilight setting | 10 – 1000 lx |
| Time setting | 30 s – 30 Min. |
| Output | 2000 W |
| Fluorescent lamps, electronic ballast | 1500 W |

| | |
|---|--|
| Fluorescent lamps, uncorrected | 1000 VA |
| Fluorescent lamps, series-corrected | 1000 VA |
| Fluorescent lamps, parallel-corrected | 1000 VA |
| Switching output 1, low-voltage halogen lamps | 2000 VA |
| LED lamps | 100 W |
| LED lamps > 2 W | 300 W |
| LED lamps > 8 W | 600 W |
| Capacitive load in µF | 176 µF |
| Constant-lighting control | No |
| Basic light level function | No |
| Functions | Normal / test mode, Semi-/fully automatic, Pushbutton / switch mode, Manual ON / ON-OFF |
| Settings via | Remote control, DIP switches, Potentiometers, Smart Remote |
| With remote control | No |
| Interconnection | Yes |
| Type of interconnection | Master/master, Master/slave |
| IP-rating | IP20 |
| Material | Plastic |
| Ambient temperature | -25 – 55 °C |
| Application, room | classroom, lecture hall, open-plan office, high-bay warehouse, production facilities, conference room / meeting room, duty room, recreation room, changing room, sports hall, reception / lobby, multi-storey / underground car park |
| Colour | white |
| Colour, RAL | 9010 |
| Manufacturer's Warranty | 5 years |
| Version | COM1 - concealed white |
| PU1, EAN | 4007841002794 |

Accessories

| | |
|--------------------|--|
| EAN 4007841 000363 | Surface installation adapter Control PRO AP Box (IP54) |
| EAN 4007841 003036 | Control PRO guard cage |
| EAN 4007841 009151 | Remote control Smart Remote |
| EAN 4007841 559410 | Service remote control RC8 |

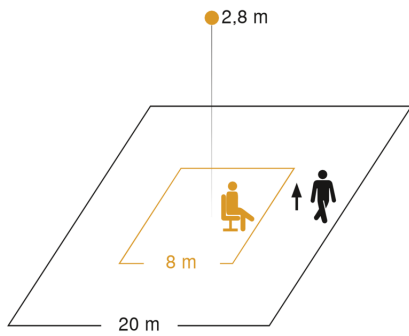
Presence detector - Professional Line

IR Quattro HD 24m

COM1 - concealed white
EAN 4007841 002794
Article number 002794

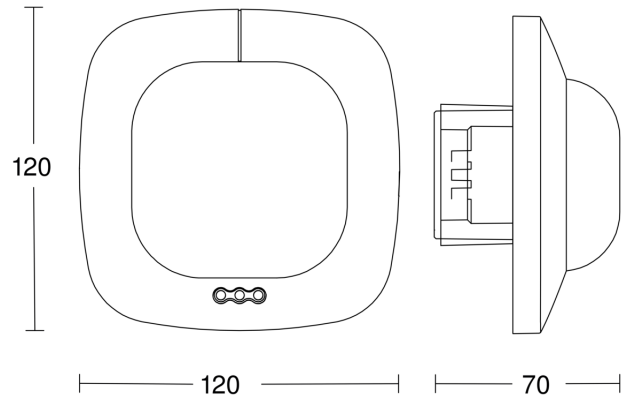


Detection Zone

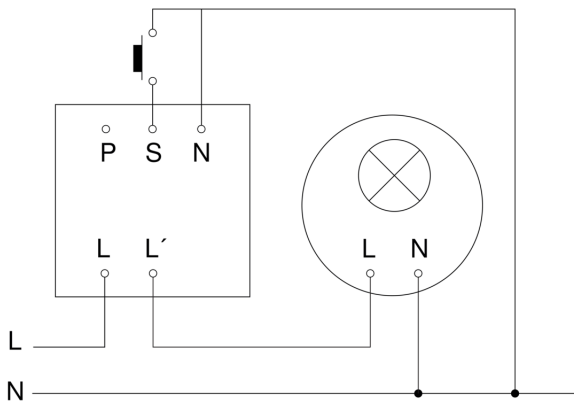


Mögliche Montagehöhe: 2,50 m – 10,00 m
Orange: Präsenz
Schwarz: tangential

Dimension Drawing



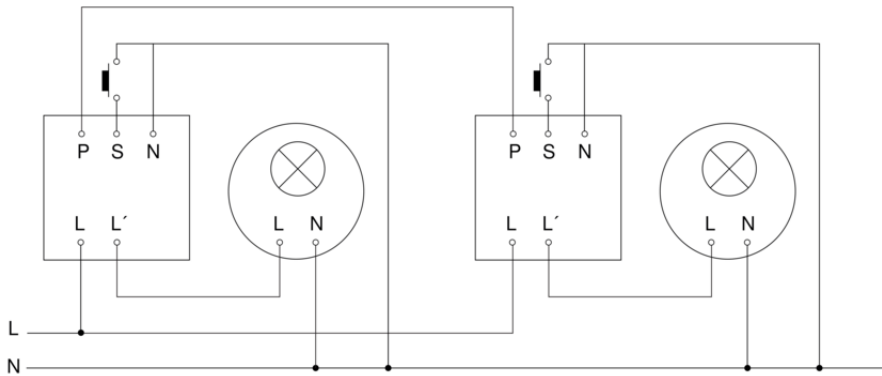
Master circuit diagram



IR Quattro HD 24m

COM1 - concealed white
EAN 4007841 002794
Article number 002794

Master/master interconnection circuit diagram



Master/slave interconnection circuit diagram

