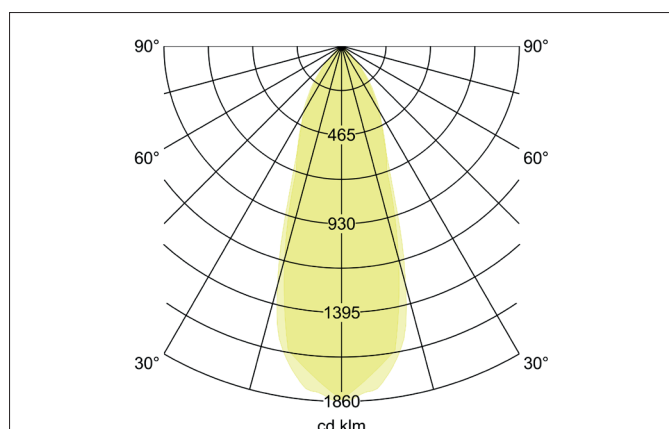
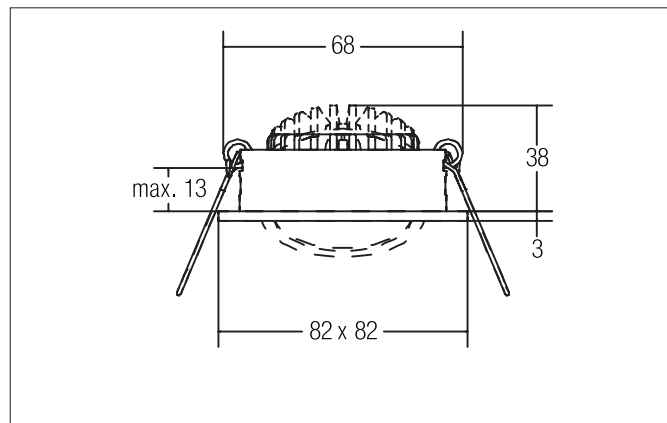
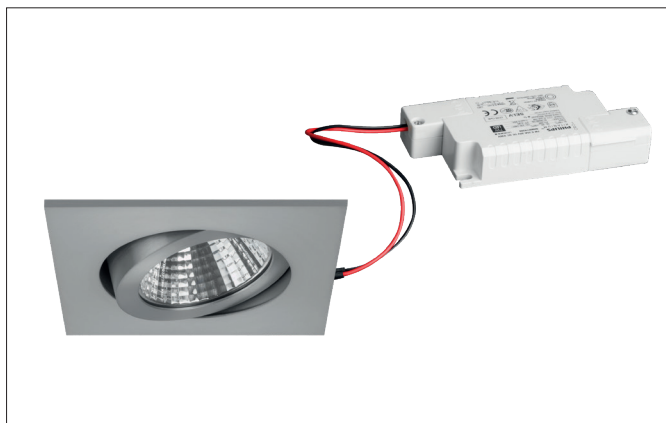


LED recessed spot set, dimmable

Artikel-Nr. 39262253

Licht.
Für Generationen.**Tender**

LED recessed spot set, dimmable, alu, square. In a compact design, for installation in tool-less rapid assembly systems. Set including a converter for 230-V mains voltage, trailing-edge phase dimmable, dimensions of converter: L 110 x W 50 x H 19 mm. Mounting method: Recessed mounting, Place of installation: Ceiling-mounted, Material: Aluminium / Plastic, Degree of protection: according to DIN EN 60529 IP20, Protection class: (EN 61140) II, Voltage: 230V AC 50Hz, Power: 7W, Amount of light sources / fittings: 1.0 Qty, Luminous flux: 740lm, Colour temperature: 2.700 K, Beam angle: 38°, Adjustability: Pivoted, With control gear: Yes, Control: Trailing-edge phase.

| Article data | |
|--------------------|---------------------------------|
| Artikel-Nr. | 39262253 |
| GTIN | 4251433919391 |
| Kurzbeschreibung | LED recessed spot set, dimmable |
| Material | Aluminium / Glass |
| Colour | Alu |
| Type of surface | Matt |
| Shape | square |
| Built-in diameter | 68 mm |
| Installation depth | 38 mm |
| Width | 82 mm |
| weight | 0.234 kg |

LED recessed spot set, dimmable

Artikel-Nr. 39262253

Licht.
Für Generationen.

| Lighting technology | |
|---------------------|------------|
| Colour temperature | 2700 K |
| Light colour | White |
| Light output | Direct |
| Luminous flux | 740 lm |
| System efficiency | 106 lm/W |
| Colour rendering | CRI > 80 |
| Reflector | High-gloss |
| Beam angle | 38 ° |
| Light sharing | Symmetric |

| Operating technology of the luminaires | |
|--|---------------------|
| System output | 7 W |
| Voltage type | AC |
| AC nominal voltage max | 230 V |
| Frequenz max. | 50 Hz |
| Lamp | LED |
| Protection class | II |
| Degree of protection | IP20 |
| Control | Trailing-edge phase |
| Rated life time L70/B50 at 25 °C | 50000 h |

| Operating technology of driver | |
|----------------------------------|---------------------|
| Control | Trailing-edge phase |
| Rated life time L70/B50 at 25 °C | 50000 h |

| Mounting technology | |
|-----------------------|---|
| Mounting method | Recessed mounting |
| Place of installation | Ceiling-mounted |
| Adjustability | Pivoted |
| Swivel angle | 30° |
| stamp | MM |
| Further references | No cover with thermal insulation material |
| Material cover | Plastic, transparent |

| Packing data | |
|---------------------|----------|
| Gross weight | 0.264 kg |
| Length of packaging | 100 mm |
| Packaging width | 100 mm |
| Packaging height | 100 mm |