

Sensor-switched LED floodlight - Professional Line

XLED PRO ONE S

Anthracite

EAN 4007841 069568

Article number 069568



LED

long life LED
50.000 h

3000 K

3000K
warm-white



infrared sensor
240°



max. 10 m



IP44



Panel 180° vertical



2 - 1000 lux



8 sec - 35 min



indoor/outdoor
light



10% basic
brightness

Function description

Floodlights redefined. Housed in a sophisticated aluminium enclosure, the 180° vertically swivelling floodlight XLED PRO ONE S guarantees daylight-bright illumination across large areas with warm white 3000 K and 2204 lm at 18,4 W. Features include a 240° infrared sensor (10 m range), plug-in cover caps to limit the detection zone, a basic light function (10%), and an optional surface-mounting adapter. Connected by cable. Adjusted by potentiometer and remote control. Maximum mounting height: 6 m. 5-year guarantee.

XLED PRO ONE S

Anthracite

EAN 4007841 069568

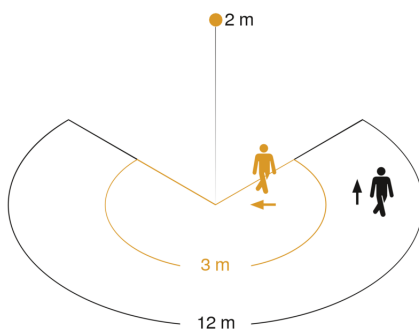
Article number 069568

Technical specifications

Dimensions (L x W x H)	182 x 229 x 230 mm
Mains power supply	220 – 240 V / 50 – 60 Hz
Sensor Technology	passive infrared
Output	18,4 W
Interconnection	Yes
Vernetzung via: Connect Bluetooth Mesh	Cable
Slave modeselectable	No
Lichtstrom Gesamtprodukt	2204 lm
Gesamtprodukt Effizienz	120 lm/W
Colour temperature	3000 K
Colour variation LED	SDCM3
Colour Rendering Index	80-89
With lamp	Yes, STEINEL LED system
Lamp	LED cannot be replaced
LED life expectancy (max. °C)	50000 h
Drop in luminous flux in accordance with LM80	L70B10
Base	without
LED cooling system	Passive Thermo Control
With motion detector	Yes
Detection angle	240 °
Angle of aperture	180 °
Capability of masking out individual segments	No
Electronic scalability	No

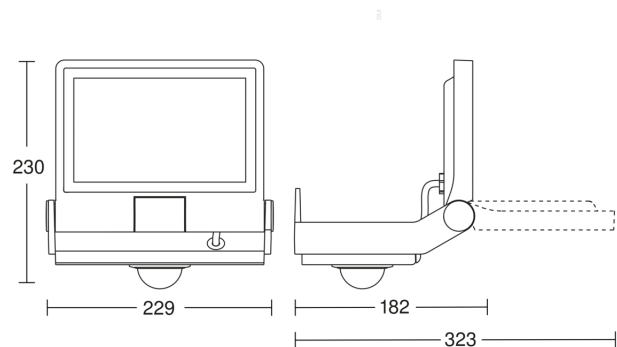
Mechanical scalability	No
Reach, radial	r = 3 m (19 m ²)
Reach, tangential	r = 12 m (302 m ²)
Photo-cell controller	Yes
Twilight setting	2 – 2000 lx
Time setting	8 s – 35 Min.
Basic light level function	Yes
Basic light level function time	10/30 min, all night
Main light adjustable	No
Functions	DIM function, Light sensor, Motions sensor, Orientation light
Soft light start	Yes
Impact resistance	IK03
IP-rating	IP44
Protection class	I
Ambient temperature	-20 – 40 °C
Housing material	Aluminium
Cover material	Glass transparent
Manufacturer's Warranty	5 years
Einstellungen via: Connect Bluetooth Mesh	Remote control, Potentiometers, App
Installation site	ceiling, wall
Cover material	shrouds
Version	Anthracite
PU1, EAN	4007841069568

Detection Zone



Mögliche Montagehöhe: 1,80 m – 6,00 m
 Orange: radial
 Schwarz: tangential

Dimension Drawing



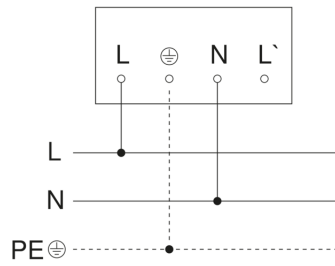
XLED PRO ONE S

Anthracite

EAN 4007841 069568

Article number 069568

Master circuit diagram



Master/slave interconnection circuit diagram

