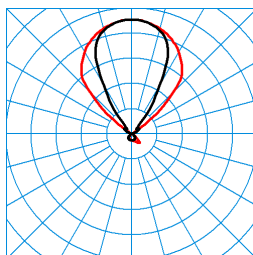


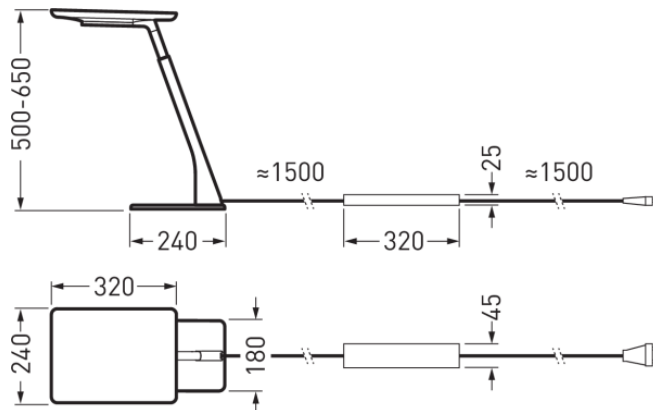
Bicult Act T COM TGCS 5500 ETDI 05 EU

TOC: 7093859



TX056949
 UGR I = 12.3
 UGR q = 11.5
 DIN 5040: D54
 UTE: 0,10 D + 0,90 T

■ C0 - C180
 ■ C90 - C270



Offer text

Innovative desktop luminaire with direct light component for individual workstation illumination and indirect light component for general room lighting. With integrated light management for the synchronous daytime- and seasonally dependent control of light colour (circadian control) of both light emission surfaces. Manual setting of the light colour and separate switching and dimming of both light components via 3 illuminated operating elements. Especially suitable for equipping modern office environments and specifically for open space applications and open communication zones as a desktop luminaire for all types of fixed and height-adjustable desks, meeting tables and work tables. For lighting as part of home office applications oriented to requirements and compliant to occupational safety regulations. Also suitable for work areas with low levels of daylight supply. Triple Glare Control System (TGCS®) for glare-reduced, symmetric distribution indirect component with limited beam angle. With clear, highly scratch-resistant acrylic glass cover. Direct component with asymmetric wide light distribution with settable beam direction for optimum focusing of light on the workstation. With CDP cover. Glare evaluation (EN 12464-1) according to UGR < 16. The following information on luminaire luminous flux and power consumption of the system refer to operation of this luminaire with dynamic, settable light colour (HCL) in warm white light colour (2700 K) operating mode. Luminaire luminous flux 5580 lm, connected load 54,00 W, luminous efficiency of luminaire 103 lm/W. Division of luminaire luminous flux into indirect/direct components 90% / 10 %. Light colour variable (warm white - daylight white), correlated colour temperature (CCT) variable (2700 K - 6000 K), general colour rendering index (CRI) $R_a > 80$. Mean rated service life $L80(t_q 25^\circ C) = 50,000$ h. Luminaire body of die-cast aluminium. Surface powder-coated satin matt, colour black (RAL 9005). Chromed operating elements. Dimensions of luminaire head 320 mm x 240 mm, Dimensions of luminaire base 240 mm x 180 mm, Luminaire height (continuously adjustable) 500 mm - 650 mm. Safety class (EN 61140): II, protection rating (DIN EN 60529): IP20, impact resistance level in accordance with IEC 62262: IK02, testing temperature of wire glow test in accordance with IEC 60695-2-11: 650 °C. Power adapter with connection cable (3000 mm). With euro connection plug (Typ C, EN 50075). With electronic control gear unit, dimmable (integrated). With USB connection port in the luminaire base for charging mobile communication devices (4,9 V / 1 A). The luminaire complies with fundamental requirements of applicable EU regulations and

Product features and key data

Luminaire type	Innovative desktop luminaire with direct light component for individual workstation illumination and indirect light component for general room lighting.		
Mounting method	Positioning		
Luminaire optic	Triple Glare Control System (TGCS®) for glare-reduced, symmetric distribution indirect component with limited beam angle. With clear, highly scratch-resistant acrylic glass cover.		
LED-System	HCL channel 1	HCL channel 2	HCL MAX
Connected load	54 W	50 W	52 W
Colour temperature	2.700 K	6.000 K	2.700 - 6.000 K
Rated luminous flux	5.580 lm	5.580 lm	5.580 lm
Luminous efficacy	103,3 lm/W		
CEN flux code	59 89 98 10 100 82 96 100 90		
Service life	L80 (25 °C) = 50.000 h		
Colour tolerance	3 SDCM		
Photobiological class	Group 1- no risk		
Luminaire colour	RAL9005 Jet black		
Luminaire body	Luminaire body of die-cast aluminium.		
Electrical version	With electronic control gear unit, dimmable (integrated).		
Connection method	Mains plug		
Dimming range	1 - 100 %		
Mains frequency	50/60 Hz		
Mains voltage	230 - 240 V		
Ingress Protection (IP) rating	IP20		
Protection class	II		
Impact resistance (IK)	IK02		
Hot wire resistance	650 °C		
Ambient temperature	25 °C		
Net length	444 mm		
Net width	240 mm		
Net height	510 mm		
Weight	4,7 kg		

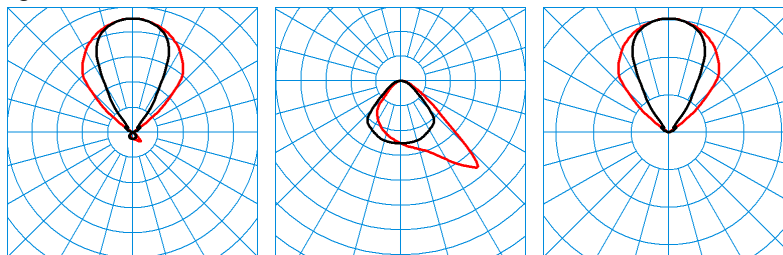
Bicult Act T COM TGCS 5500 ETDI 05 EU

TOC: 7093859



product safety legislation and bears the CE symbol. The luminaire is also ENEC-certified by an independent testing authority. With integrated control unit for the synchronous daytime-based and seasonally dependent control of light colour (circadian control) of both light emission surfaces. The luminous flux can be switched and dimmed separately for both light emissions. Weight 4,7 kg.

light distribution curve



TX056949
 UGR I = 12,3
 UGR q = 11,5
 DIN 5040: D54
 UTE: 0,10 D + 0,90 T

■ C0 - C180
 ■ C90 - C270

TX056925
 UGR I = NODATA
 UGR q = NODATA
 DIN 5040: A50
 UTE: 1,00 D

■ C0 - C180
 ■ C90 - C270

TX056955
 UGR I = NODATA
 UGR q = NODATA
 DIN 5040: E04
 UTE: 0,00 J + 1,00 T

■ C0 - C180
 ■ C90 - C270