

Motion detector

IS 140-2

black

EAN 4007841 608811

Article number 608811



infrared sensor
140°



max. 14 m

1000 W

1000 W max.
(LED-ready)



IP54



Sensor 90° ver.,
180° hor.



2 - 2000 lux



8 sec - 35 min



Ideal 2 m



energy saving

3 years

manufacturer's
warranty
[steinell.de/garantie3y](https://www.steinell.de/garantie3y)

Function description

The classic detector, now with even more class. Infrared motion detector IS 140-2, for indoors and out, ideal for targeted detection close to the building, 140° angle of coverage, reach up to 14 m, selectable time and twilight threshold, sensor turns through 180° and tilts through 90° for exact adjustment of the detection zone.

Motion detector

IS 140-2

black

EAN 4007841 608811

Article number 608811



Technical specifications

| | | | |
|--|--------------------------------|---|---|
| Type | Motion detectors | Fluorescent lamps, electronic ballast | 430 W |
| Dimensions (L x W x H) | 99 x 86 x 82 mm | Fluorescent lamps, uncorrected | 500 VA |
| Mains power supply | 230 – 240 V / 50 Hz | Fluorescent lamps, series-corrected | 500 VA |
| Sensor Technology | passive infrared | Fluorescent lamps, parallel-corrected | 500 VA |
| Application, place | Outdoors, Indoors | Switching output 1, low-voltage halogen lamps | 1000 VA |
| Installation site | wall | LED lamps | 16 W |
| Installation | Surface wiring | LED lamps > 2 W | 64 W |
| Mounting height | 1,80 – 3,00 m | LED lamps > 8 W | 64 W |
| Reach, radial | r = 3 m (11 m ²) | Capacitive load in µF | 88 µF |
| Reach, tangential | r = 14 m (239 m ²) | Constant-lighting control | No |
| Detection angle | 140 ° | Basic light level function | No |
| Angle of aperture | 40 ° | Settings via | Potentiometers |
| Switching zones | 144 switching zones | With remote control | No |
| Optimum mounting height | 2 m | Interconnection | Yes |
| Mechanical scalability | No | Type of interconnection | Master/master |
| Sneak-by guard | Yes | IP-rating | IP54 |
| Capability of masking out individual segments | Yes | Material | Plastic |
| Electronic scalability | No | Ambient temperature | -20 – 50 °C |
| Twilight setting TEACH | No | Application, room | outdoors, front door, all round the building, terrace / balcony, courtyard & driveway |
| Twilight setting | 2 – 2000 lx | Colour | black |
| Time setting | 8 s – 35 Min. | Colour, RAL | 9005 |
| Output | 1000 W | Manufacturer's Warranty | 3 years |
| Switching output 1, resistive | 1000 W | Version | black |
| Switching output 1, number of LEDs / fluorescent lamps | 6 pcs. | PU1, EAN | 4007841608811 |

Accessories

| | |
|--------------------|----------------------|
| EAN 4007841 631864 | Corner wall mount 07 |
| EAN 4007841 631765 | Corner wall mount 07 |

Motion detector

IS 140-2

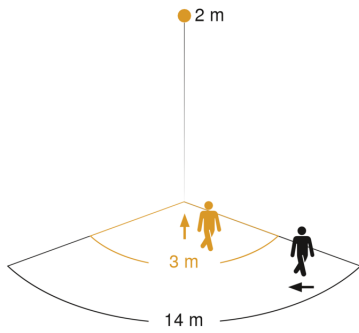
black

EAN 4007841 608811

Article number 608811



Detection Zone

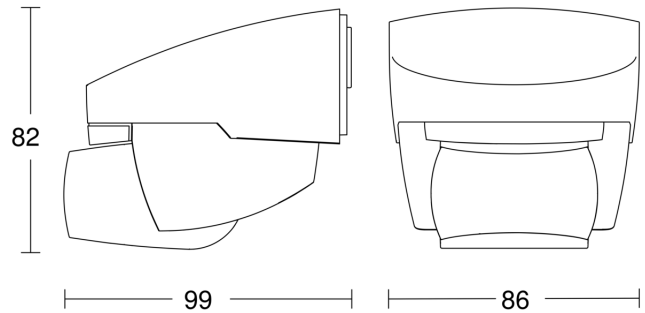


Mögliche Montagehöhe: 1,80 m – 3,00 m

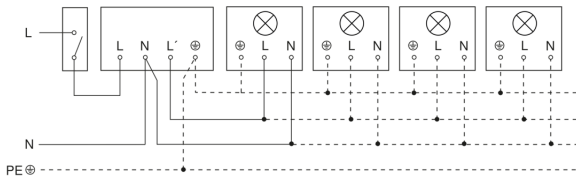
Orange: radial

Schwarz: tangential

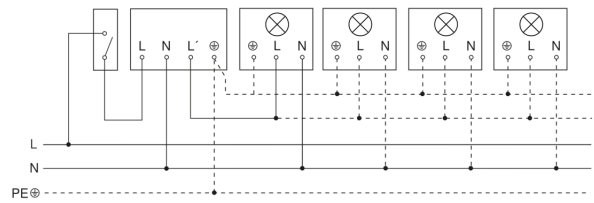
Dimension Drawing



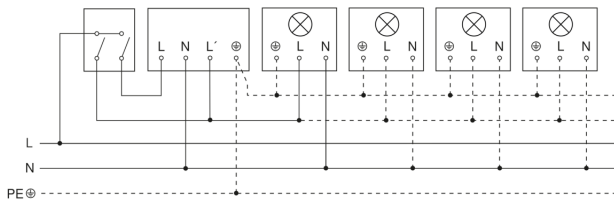
Light without neutral conductor



Light with neutral conductor



Connection using two-circuit switch for manual and automatic operation



Connection via a two-way switch for manual override and automatic operation

