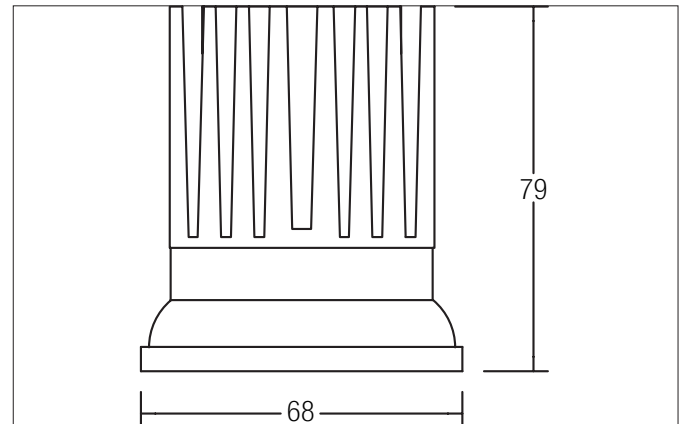


**COUPLED LED system downlight COUPLED, IP44, round**  
 Artikel-Nr. 12630073

Licht.  
Für Generationen.



#### Tender

LED system downlight COUPLED, IP44, round, white, round. In a compact design, for installation in tool-less rapid assembly systems. Installation is only with plaster or installation frame 82030170 or 82032170 possible. Mounting method: Recessed mounting, Place of installation: Ceiling-mounted, Material: Aluminium / Plastic, Degree of protection: according to DIN EN 60529 IP44\*, Protection class: (EN 61140) III, Current: 500 mA, Power: 8.9W, Amount of light sources / fittings: 1.0 Qty, Luminous flux: 950lm, Colour temperature: 3.000 K, Light colour : White, Beam angle: 34°, Adjustability: Not adjustable, With control gear: No, Control: Dimming depending on driver.

Article data	
Artikel-Nr.	12630073
GTIN	4251433916086
Series name	COUPLED
Kurzbeschreibung	LED system downlight COUPLED, IP44, round
Material	Aluminium / Plastic
Colour	White
Type of surface	Matt
Shape	round
Outer diameter	68 mm
Installation depth	79 mm
weight	0.175 kg

**COUPLED LED system downlight COUPLED, IP44, round**

Artikel-Nr. 12630073

Licht.  
Für Generationen.

Lighting technology	
Colour temperature	3000 K
Light colour	White
Light output	Direct
Luminous flux	950 lm
System efficiency	107 lm/W
Colour rendering	CRI > 90
Reflector	High-gloss
Beam angle	34 °
Light sharing	Symmetric

Operating technology of the luminaires	
System output	8.9 W
Voltage type	DC
Current	500 mA
Lamp	LED
Protection class	III
Degree of protection	IP44
Schutzart deckenseitig	IP20
Converter - possible luminaire 1 pc.	17823 17824 17826 17829
Control	Other
Leuchtmittelwechsel möglich	ja

Mounting technology	
Mounting method	Recessed mounting
Place of installation	Ceiling-mounted
Adjustability	Not adjustable
Further references	No cover with thermal insulation material

Packing data	
Gross weight	0.245 kg
Length of packaging	105 mm
Packaging width	105 mm
Packaging height	110 mm

Accessories	
	Artikel-Nr.: 17823010 Kurzbeschreibung: LED converter 500 mA, on/off Leistung: 1 - 22 W Abmessung: 146.5 mm x 43.5 mm x 30 mm
	Artikel-Nr.: 17824010 Kurzbeschreibung: LED converter 500 mA, 1-10V dimmable (analog) Leistung: 5 - 27 W Abmessung: 146.5 mm x 43.5 mm x 30 mm
	Artikel-Nr.: 17826010 Kurzbeschreibung: LED converter 500 mA, DALI dimmable (digital) Leistung: 5 - 27 W Abmessung: 146.5 mm x 44 mm x 30 mm
	Artikel-Nr.: 17829010 Kurzbeschreibung: LED converter 500 mA, trailing-edge phase dimmable Leistung: 1 - 24 W Abmessung: 166 mm x 46 mm x 34 mm