

Sensor-switched LED indoor light - Professional Line

RS PRO LED Q1

Neutral white silver

EAN 4007841 007102

Article number 007102



LED

30 years (Ø 4,5h / day)



high frequency sensor 360°



Ø 1 - 8 m



2 - 2000 lux



5 sec - 15 min



soft light start



10 - 50% basic brightness



manual override 4h



networkable wireless

Teach

Teach mode

Function description

Perfect light pattern. Best technology. RS PRO LED Q1 high-frequency SensorLight, ideal for corridors, thoroughfares and stairwells as well as WC facilities, washrooms and storerooms. 26 W for 2920 lm of light, 360° detection, optional basic light level, integrated wireless interconnection capability, RGS – Remote Group Setting function, lighting groups, including basic light level, can be synchronised, switches OFF in relation to daylight, 4000 K.

RS PRO LED Q1

Neutral white silver
 EAN 4007841 007102
 Article number 007102



Technical specifications

Dimensions (L x W x H)	56 x 331 x 331 mm
Mains power supply	220 – 240 V / 50 – 60 Hz
Sensor Technology	High frequency
Transmitter power	
HF-system	5,8 GHz
Output	26 W
Interconnection	Yes
Type of interconnection	Master/master, Master/slave
Vernetzung via: Connect Bluetooth Mesh	Wireless
Colour temperature	4000 K
Colour variation LED	SDCM3
Colour Rendering Index	80-89
With lamp	Yes, STEINEL LED system
Lamp	LED cannot be replaced
LED life expectancy (max. °C)	50000 h
Drop in luminous flux in accordance with LM80	L70B10
Base	without
LED cooling system	Passive Thermo Control
With motion detector	Yes
Detection	also through glass, wood and stud walls
Detection angle	360 °
Angle of aperture	160 °
Capability of masking out individual segments	Yes
Electronic scalability	Yes

Mechanical scalability	No
Reach, radial	Ø 8 m (50 m ²)
Reach, tangential	Ø 8 m (50 m ²)
Continuous light	selectable
Photo-cell controller	Yes
Twilight setting	2 – 2000 lx
Time setting	5 s – 15 Min.
Basic light level function	Yes
Basic light level function time	10/30 min, all night
Main light adjustable	50 - 100 %
Functions	Group parameterisation, Manual ON / ON-OFF, Master/slave override, Neighbouring group function
Soft light start	Yes
Impact resistance	IK03
IP-rating	IP20
Protection class	II
Ambient temperature	-10 – 50 °C
Housing material	Aluminium
Cover material	Plastic, opal
Manufacturer's Warranty	5 years
Settings via	DIP switches, Potentiometers, Remote control, Smart Remote
With remote control	No
Installation site	wall, ceiling
Version	Neutral white silver
PU1, EAN	4007841007102

Accessories

EAN 4007841 009151	Remote control Smart Remote
EAN 4007841 007645	RC10 for RS PRO LED Q1

RS PRO LED Q1

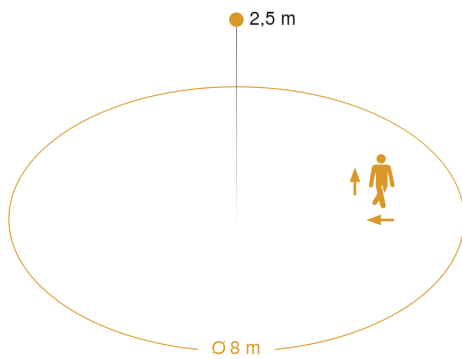
Neutral white silver

EAN 4007841 007102

Article number 007102

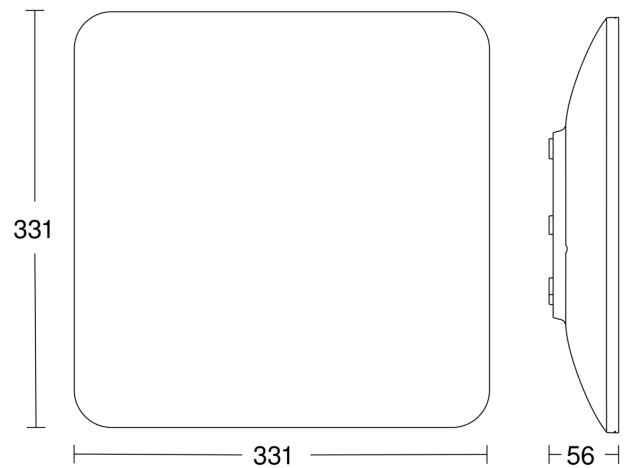


Detection Zone

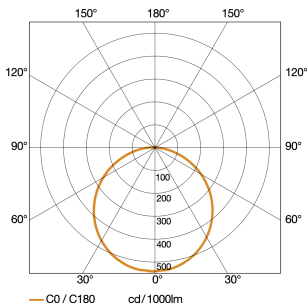


Mögliche Montagehöhe: 2,00 m – 4,00 m
Orange: radial und tangential

Dimension Drawing

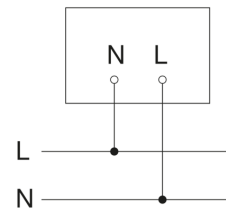


Light Distribution Curve



Output	26 W
With lamp	Yes, STEINEL LED system
Lamp	LED cannot be replaced
Luminous flux	2920 lm
Colour temperature	4000 K
Colour Rendering Index	80-89
LED life expectancy (max. °C)	50000 h
LED cooling system	Passive Thermo Control

Slave/wireless master interconnection circuit diagram



Sensor-switched LED indoor light - Professional Line

RS PRO LED Q1

Neutral white silver

EAN 4007841 007102

Article number 007102



Master/master interconnection circuit diagram

