

LED indoor light without sensor

# RS PRO P1

warm white

EAN 4007841 056056

Article number 056056



## Function description

Circular classic. Perfect shape. Perfect efficiency. The perfect indoor light as version without sensor. The RS PRO P1 integrates harmoniously into corridors, hallways and stairwells. It combines timeless design and extremely easy installation with pioneering technology and can be interconnected with the sensor version by cable. Output: 8,2 W with 953 lm, 3000 K.

## Technical specifications

Dimensions (Ø x H)	280 x 110 mm
Mains power supply	220 – 240 V / 50 – 60 Hz
Output	8,2 W
Lichtstrom Gesamtprodukt	953 lm
Gesamtprodukt Effizienz	116 lm/W
Colour temperature	3000 K
Colour Rendering Index	80-89
With lamp	Yes, STEINEL LED system
Lamp	LED cannot be replaced
LED life expectancy (max. °C)	50000 h
Drop in luminous flux in accordance with LM80	L80B10
Base	without

LED cooling system	Passive Thermo Control
With motion detector	No
Soft light start	Yes
Impact resistance	IK03
IP-rating	IP54
Protection class	II
Ambient temperature	-10 – 40 °C
Housing material	Plastic
Cover material	Plastic, opal
Manufacturer's Warranty	5 years
Version	warm white
PU1, EAN	4007841056056

LED indoor light without sensor

# RS PRO P1

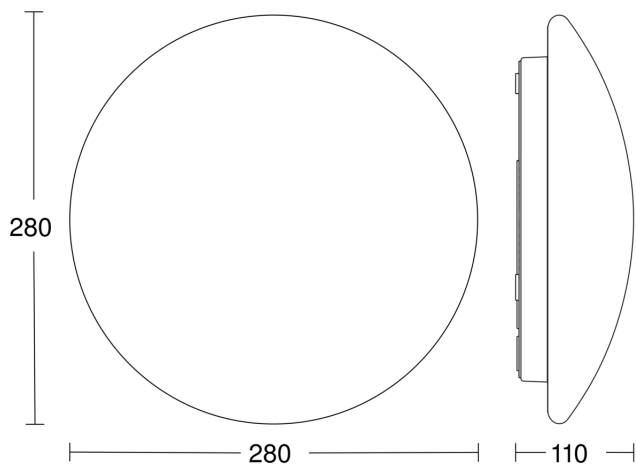
warm white

EAN 4007841 056056

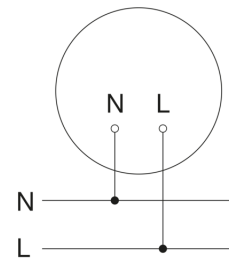
Article number 056056



## Dimension Drawing



## Slave/wireless master interconnection circuit diagram



## Master/slave interconnection circuit diagram

