

# PRODUCT DATASHEET

## TRACK SP REFLECTOR D75 SP

TRACKLIGHT SPOT REFLECTOR | Interchangeable reflector



---

### Product benefits

- Reflector easily replaceable thanks to bayonet catch and rubber suction pad
- Clear cover protects the reflector against dust and contact
- High optical efficacy

---

### Product features

- Accessory reflectors available in different beam angles



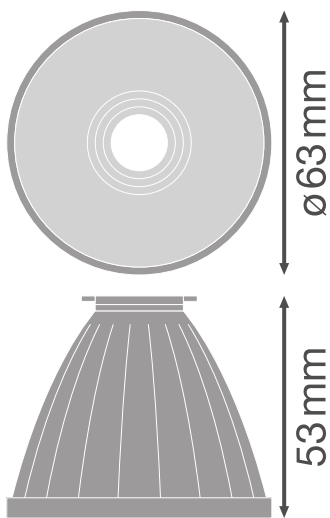
TECHNICAL DATA

Photometrical data

Beam angle	15 °
------------	------

Dimensions & Weight

Diameter	63,0 mm
Height	53,0 mm
Product weight	24.00 g



Materials & Colors

Product color	Silver
Body material	Polycarbonate (PC)

Certificates & Standards

Luminaire with limited surface temperature, "D sign"	No
Ball shot safe	No

DOWNLOAD DATA

DOWNLOAD DATA
---------------



User instruction

## DOWNLOAD DATA



Tender documents



Declarations of conformity



Declarations of conformity

## LOGISTICAL DATA

Product code	Packaging unit (Pieces/Unit)	Dimensions (length x width x height)	Gross weight	Volume
4058075113817	Shipping box 4	157 mm x 87 mm x 145 mm	421.00 g	1.98 dm <sup>3</sup>

The mentioned product code describes the smallest quantity unit which can be ordered. One shipping unit can contain one or more single products. When placing an order, for the quantity please enter single or multiples of a shipping unit.

## DISCLAIMER

Subject to change without notice. Errors and omission excepted. Always make sure to use the most recent release.