

MSensor G3 SFI 30 PIR 10DPI WH

Multi-sensor

Product description

- Sensor developed to work with the latest DALI specification
- Monitoring of ambient light and motion detection
- Remote control interface allowing infrared remote control interaction
- Individual adjustment of the parameters with configuration software
- Power supply via DALI line
- Shutter for preventing movement detection in one direction included
- Small dimensions allowing easy and inconspicuous integration in luminaries
- Wide range of accessories allowing extended application range
- 5-year guarantee

Housing properties

- Casing: polycarbonate, white
- Type of protection up to IP66

Note

- Tridonic MSensor G3 family sensors are developed according to DALI Standard EN 62386-101 Ed.2, also known as DALI-2.

To be able to use the sensor in such installation, an application controller is necessary.

List of approved application controller can be found on our WEB page „[Application controllers MSensor G3.pdf](#)“



Standards, page 6

Wiring diagrams and installation examples, page 7

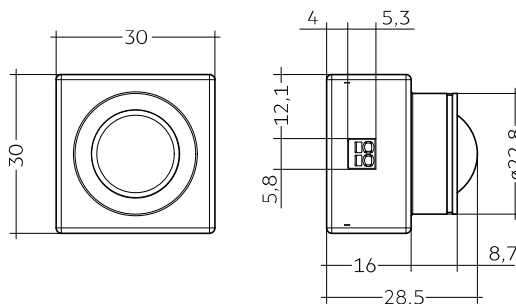


MSensor G3 SFI 30 PIR 10DPI WH

Multi-sensor

Technical data

Supply via	DALI
Supply voltage	9.5 – 22.5 V
Current consumption (no LED)	max. 8 mA
Current consumption (with LED)	max. 9 mA
Mounting height	5 – 10 m
Mounting hole diameter	23 mm
Cover size of luminaire	0.75 – 4.00 mm
Detection angle for PIR detection (tagential / radial)	72° / 44°
Detection angle for light measurement	30° – 40°
Detection range for light measurement ^②	0.5 – 2,000 lx
Min. temperature difference between ambient temperature and detected object	± 4 °C
Ambient temperature ta	-20 ... +50 °C
tc	60 °C
Storage temperature	-25 ... +60 °C
Dimensions L x W x H	30 x 30 x 28.5 mm
Housing material body	PC polycarbonate
Housing material lens	PE polyethylene
Housing colour body	White (similar to RAL 9010)
Housing colour lens	White
Type of installation	Fitted in luminaires
Type of protection ^①	Up to IP66



Ordering data

Type	Article number	Suitable for	Packaging carton	Weight per pc.
MSensor G3 SFI 30 PIR 10DPI WH	28002119	Luminaire installation	10 pc(s).	0.013 kg

^① Depending on the installation type up to IP66 for more details see chapter 3.7.

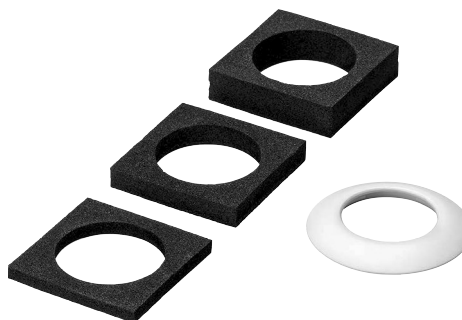
^② The measured value at the sensor head corresponds to approx. 3 to 6,300 lux on the surface measured.

ACCES-
SORIES

Sensor mounting kit ACU 030 IP66 WH

Product description

- Mounting ring allowing to mount the sensor into a luminaire in easy and visual attractive way
- Including three different gaskets 3, 5 and 8 mm
- For more details see chapter 3.5 (mounting ring) and 3.6 (gasket)
- Mounting ring passed glow wire test with 750 °C according to EN 61347-1



Ordering data

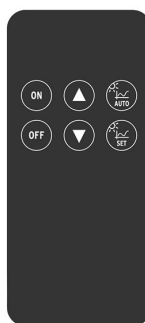
Type	Article number	Packaging carton	Weight per pc.
Sensor mounting kit ACU 030 IP66 WH	28002459	20 pc(s).	0.006 kg

ACCES-
SORIES

REMOTECONTROL IR6

Product description

- Optional infra-red remote control
- Switching on and off (On/Off button)
- Dimming (Up/Down button)
- Activation of automatic lighting control
- Setting the threshold control point (Set button)



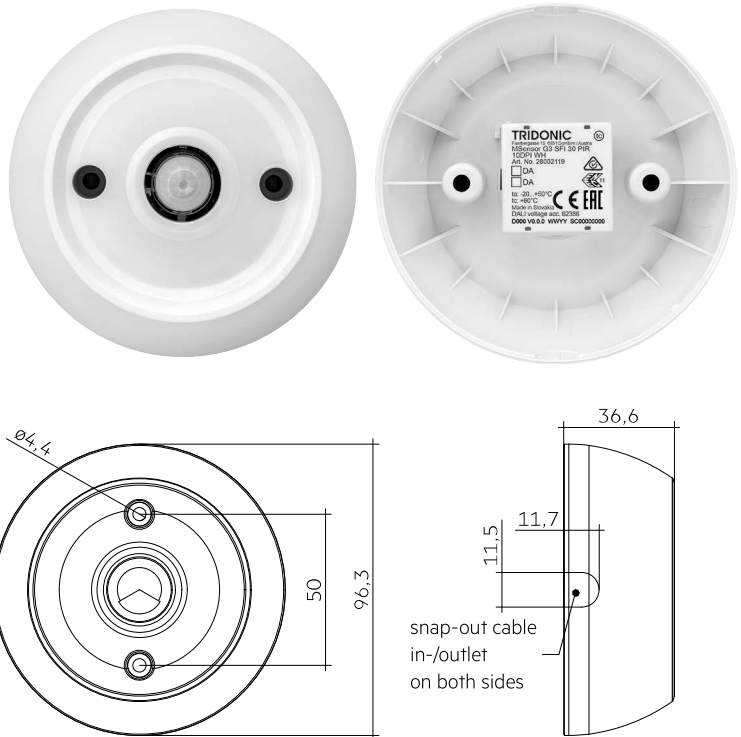
Ordering data

Type	Article number	Dimensions L x W x H	Packaging carton	Weight per pc.
REMOTECONTROL IR6	28000647	86.5 x 40.5 x 7.2 mm	500 pc(s).	0.019 kg

Sensor housing ACU 031 IP20 WH

Product description

- Mounting frame for wired MSensor G3 SFI 30 PIR 10DPI WH sensors allowing direct mounting to the ceiling
- Easy „click in“ installation of the sensor
- IP20
- Casing: polycarbonate, white
- UV stabilized plastic
- MSensor G3 SFI 30 PIR 10DPI WH is powered via DALI circuit
- Mounting kit with screws and decorative plugs
- 0.5 mm wiring for the sensor
- Two 3 x 1.5 mm² clamps with cable management (2 entry points on oppsite sides)
- Including 3 mm gasket for ideal IP protection
- Casing passed glow wire test with 850 °C according to EN 61347-1

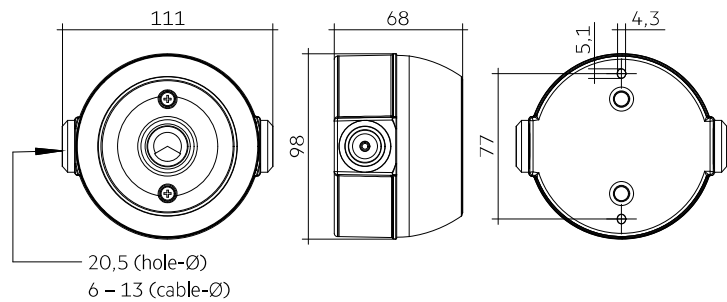
**Ordering data**

Type	Article number	Packaging carton	Weight per pc.
Sensor housing ACU 031 IP20 WH	28001874	57 pc(s).	0.054 kg

Sensor housing ACU 032 IP66 WH

Product description

- Mounting frame for wired MSensor G3 SFI 30 PIR 10DPI WH sensors allowing direct mounting to the ceiling
- Easy „click in“ installation of the sensor
- IP66
- Casing: PC polycarbonate, white
- UV stabilized plastic
- MSensor G3 SFI 30 PIR 10DPI WH is powered via DALI circuit
- Optional shutter for reduction of movement detection area allowing to decrease the movement detection area from 360° to 240°
- Mounting kit with screws and decorative plugs
- Including 3 mm gasket for ideal IP protection
- Casing passed glow wire test with 850 °C according to EN 61347-1



Ordering data

Type	Article number	Packaging carton	Weight per pc.
Sensor housing ACU 032 IP66 WH	28001873	26 pc(s).	0.105 kg

1. Standards

EN/IEC 61347-2-11:2001
EN 55015:2013
EN 61000-3-2:2014 Part 3-2
EN 61000-3-3:2013 Part 3-3
EN 61547:2009
EN 62386-101 Ed.2
EN 62386-103 Ed.1
EN 62386-301
EN 62386-303
EN 62386-304
EN 62386-332

2. Common

MSensor G3 SFI 30 PIR 10DPI WH is one of the new generation of Tridonic sensors.

With this Sensor, the customer gets a small sized sensor for medium height applications and a protection against environmental influence up to IP66.

This sensor provides measurement of ambient light, motion detection via PIR sensor and IR remote control input as well as a RGB LED output for signalisation.

MSensor G3 SFI 30 PIR 10DPI WH is created for following main applications:

Medium height buildings such as

- Factory buildings
- Storage buildings and warehouses
- Corridors, passages und Garages
- Outdoor applications

3. Installation

- The MSensor must not be connected to the mains. It is supplied directly via the DALI power supply.
- DALI is not SELV.
The installation instructions for mains voltage therefore apply.
- Please ensure that the detection range of the sensor lies in the lighting area of the controlled luminaires.
- Please ensure that the detection ranges of the sensors do not overlap.
This may have influence to the lighting control.
- When installed at a height other than the recommended installation height, the presence sensor might show different characteristics.
When mounted at a higher level, its sensitivity is reduced.
If mounted at a lower level, its range is reduced.
- Heaters, fans, printers and copiers located in the detection zone may cause incorrect presence detection.

1.1 DALI note



Tridonic MSensor G3 family sensors are developed according to DALI Standard EN 62386-101 Ed.2, also known as DALI-2.

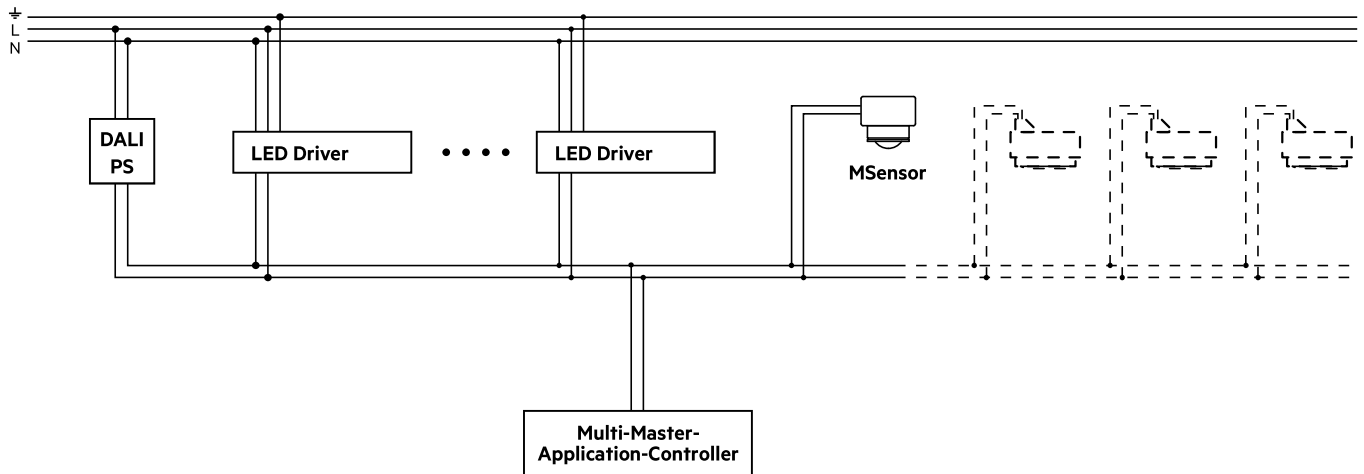
To be able to use the sensor in such installation, an application controller is necessary.

List of approved application controller can be found on our WEB page „[Application_controllers_MSensor_G3.pdf](#)“

1.2 Glow wire test

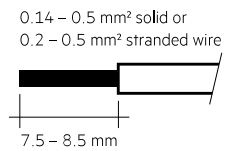
according to EN 61347-2-11 passed for temperatures up to 750°C.

3.1 Wiring



3.2 Wiring type and cross section

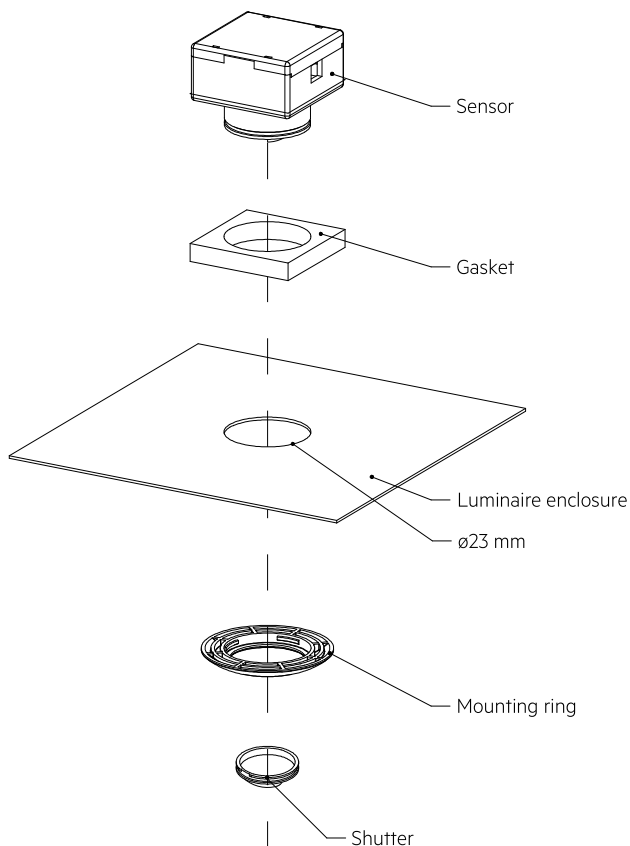
The wiring can be solid wire or stranded wire with a cross-section for solid wire of 0.14 mm² to 0.5 mm² and a cross-section for stranded wire of 0.2 mm² to 0.5 mm².



3.3 Mounting variants luminair installation sensor:

3.3.1 Installation in luminaire

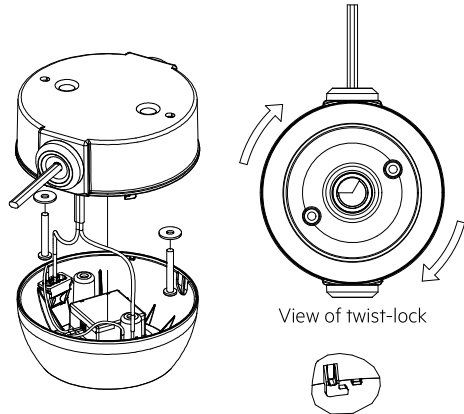
To ensure the right IP protection please read chapter 3.6 Gasket.



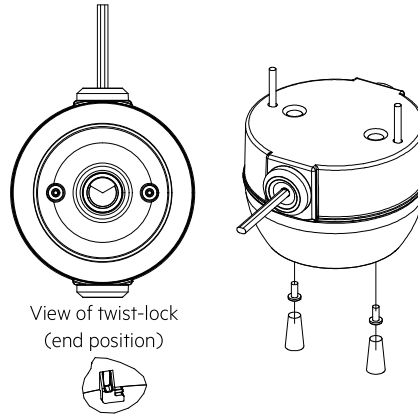
3.3.2 Installation in Sensor housing ACU 032 IP66 WH

To ensure the right IP protection please read chapter 3.6 Gasket.

Step 1: Cover placed on base plate



Step 2: Cover locked



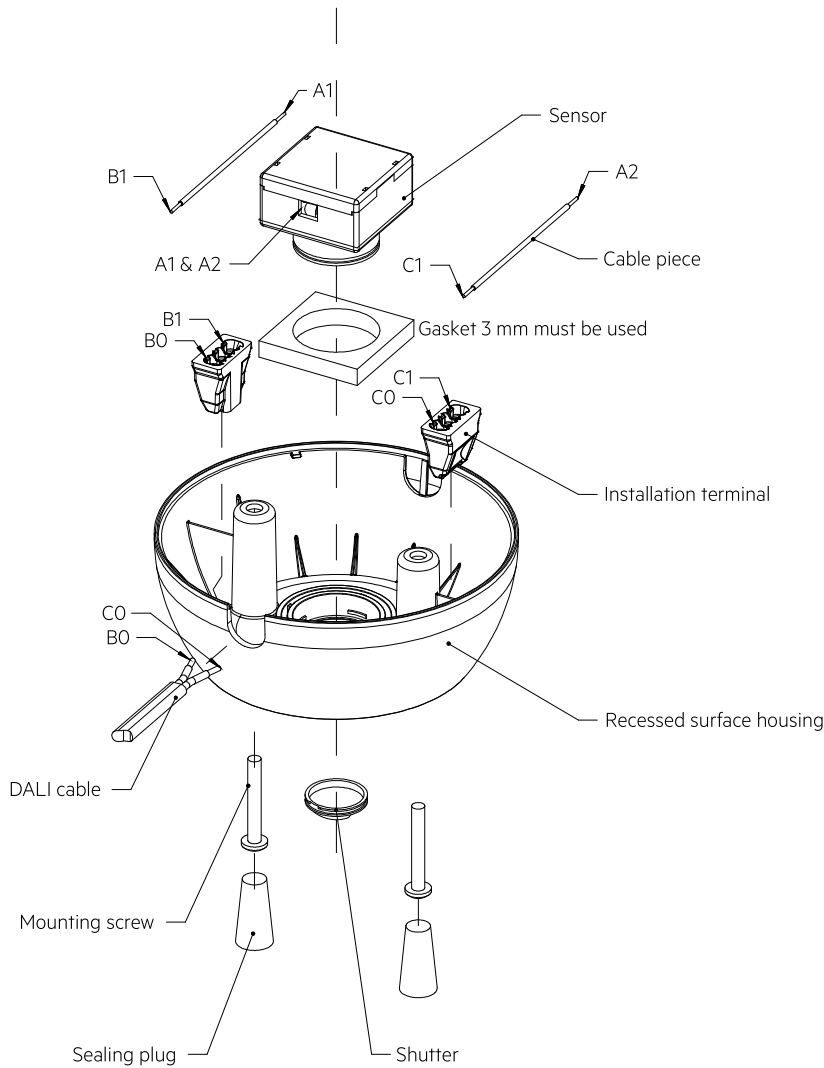
Mount base plate. Feed cable (cable diameter: 6 – 13 mm) of the lateral grommets into the installation terminals.

After the cover is loosely mounted on the base plate, insert and tighten the 2 screws. In the last step insert in the sealing plugs.

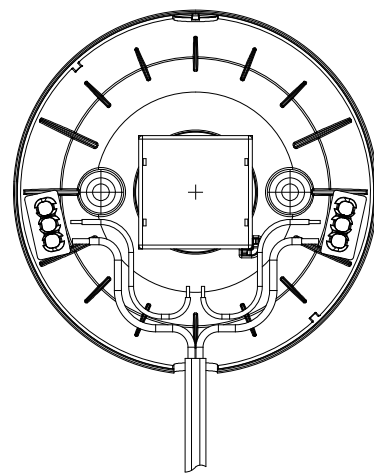
3.3.3 Installation in Sensor housing ACU 031 IP20 WH

To ensure the right IP protection please read chapter 3.6 Gasket.

Exploded view



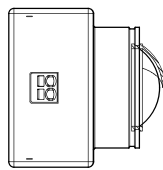
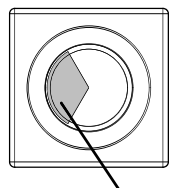
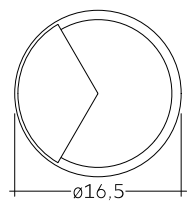
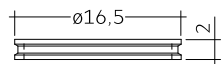
Top view



3.4 Detection area covers

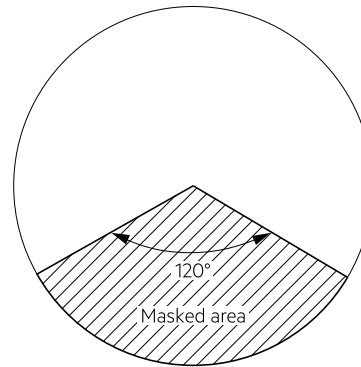
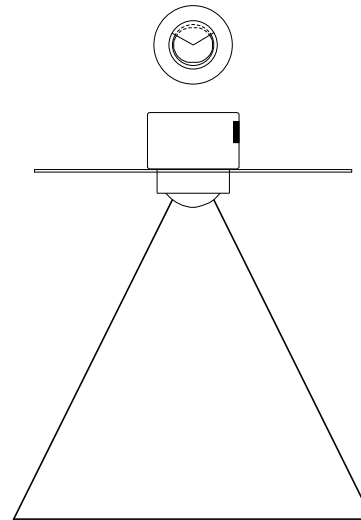
Included in each Sensor 10DPI 23f there are two detection area covers. Each of these cover can be attached to the front of the sensor. The 120° cover offers the possibility to reduce the detection area of PIR Sensor by 120° or 1/3 of its detection area. There is no influence of detection area of light measurement or IR receiver by this cover. 0° cover is made only for aesthetical reasons to give the sensor a flush surface. It is not needed for proper operation of the sensor.

Type of material: PC polycarbonate
 Colour: transparent
 Surface finish: polished



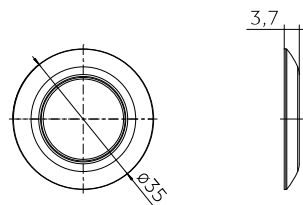
Attach the detection area cover to the sensor by inserting it into the corresponding groove at the front of the sensor.

Area which is masked by the shutter:



3.5 Mounting ring

Included in each Sensor mounting kit ACU 030 IP66 WH there is a mounting ring. This Ring allows to mount the sensor into a luminaire in an easy and visual attractive way.



3.6 Gasket

To fulfill ingress protection three different gaskets are included in the 10DPI Mounting Kit.

The gaskets are necessary to ensure ingress protection as well as proper mounting of the sensor in luminaire.

Sensor can be inserted into luminaires with a cover size from 0.75 up to 4.0 mm.

To cover different sizes of material, three gaskets with different sizes are included.

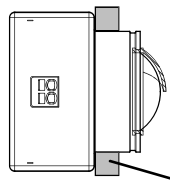
Available size of sealing: 3 / 5 / 8 mm

According to the size of luminaire cover in certain application, one of the gaskets must be used and mounted between the front of the sensor and the luminaire housing.

It is not allowed to use a combination of e.g. two gaskets, because this will not provide the right amount of sealing and you may run in to a risk to not reach the IP66 requirements.



Use maximum possible size for your application to ensure a proper fit and protection.

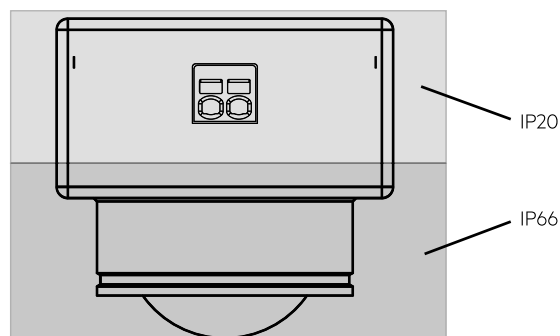


Gasket (size 3, 5 or 8 mm)

Distance between Sensor and luminare	Final size of gasket after assembly	Use gasket
2.0 – 2.4 mm	2.0 – 2.4 mm	3 mm
2.5 – 4.0 mm	2.5 – 4.0 mm	5 mm
4.0 – 5.9 mm	4.0 – 5.9 mm	8 mm

3.7 Ingress protection

This device contains IP-protection to use it also in applications with the need of protection against dust and water ingress. IP66 protection applies to the front of the sensor whereas the back of the sensor is IP20 rated.



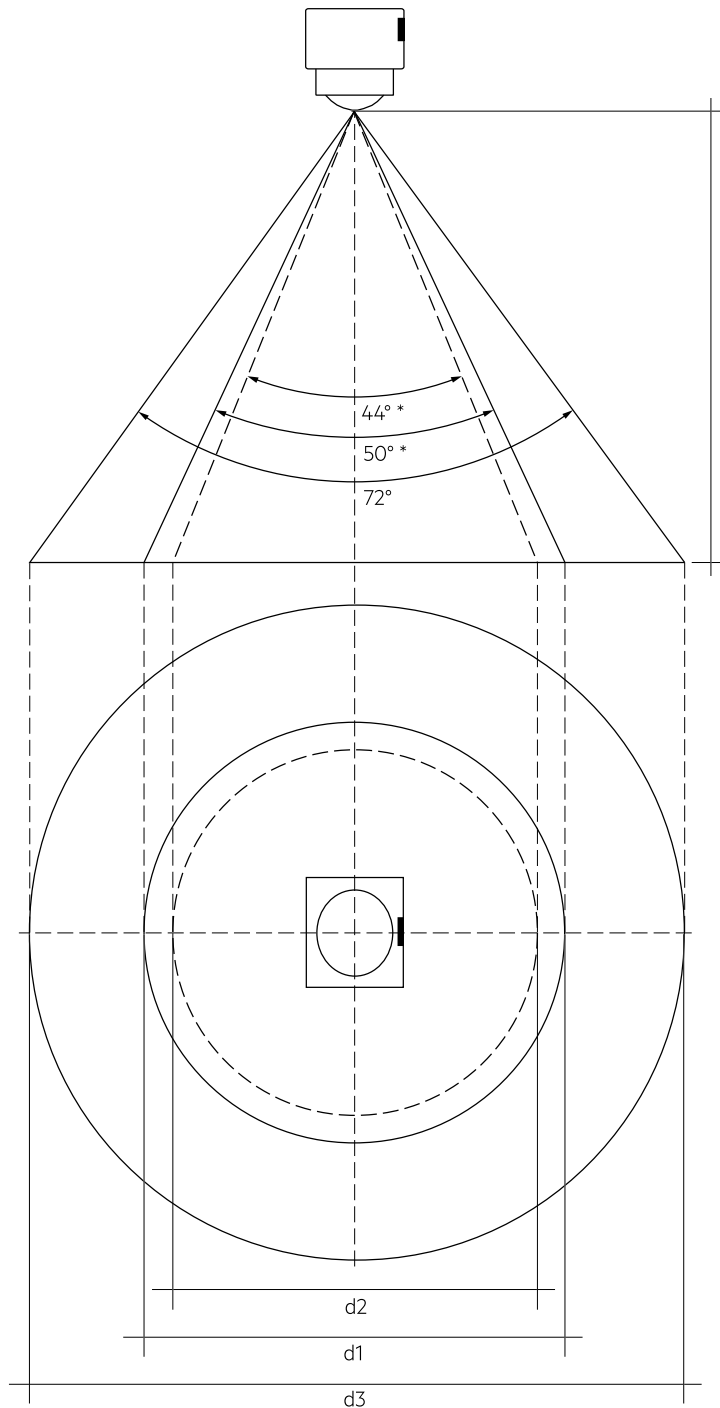
4. Sensor function

4.1 Motion detection

For motion detection PIR technology is used. PIR Lens is made to detect moving people in working areas such as warehouses, storage buildings and similar working areas with the following performance criteria:

- Ceiling height from 5 up to 10 m
- Movement of human body (increment ≥ 1.5 m), no slight motion (no sitting person)
- Movement ≥ 1.0 m/s for mounting heights up to 7.5 m
- Movement ≥ 1.5 m/s for mounting heights up to 10.0 m

4.2 Detection area



Reaction time of the sensor is ≤ 25 ms.

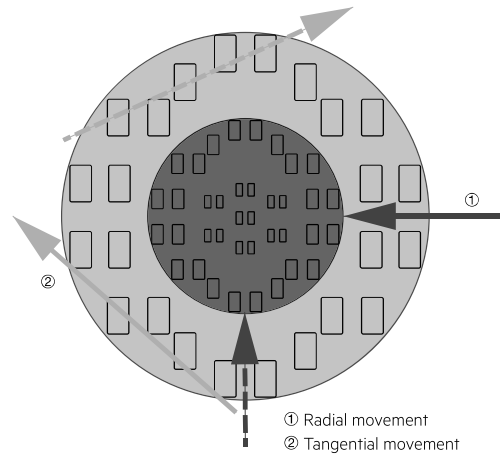
The reaction time of the system can be extended by factors such as the amount of data on the bus, the number of connected devices or the control device used (Application Controller).

The point at which the light responds must therefore not be equated with the outer detection range.

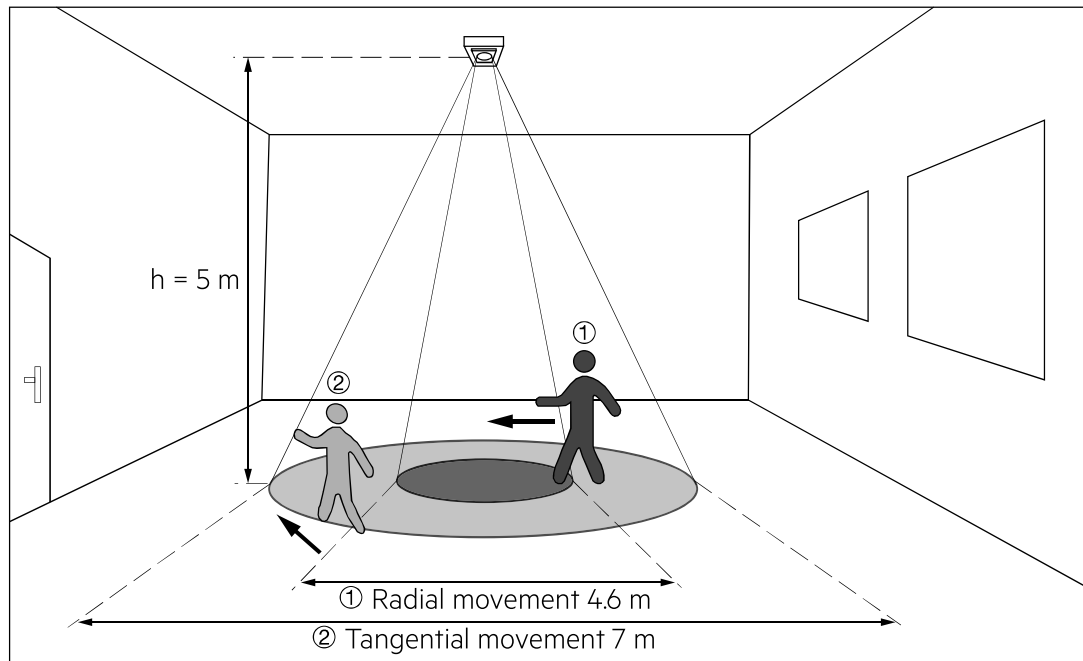
h = Height	d1 = Radial (50°)	d2 = Radial (44°)	d3 = Tangential (72°)
5 m	4.6 m	-	7.0 m
6 m	5.6 m	-	8.4 m
7 m	6.6 m	-	9.8 m
8 m	7.4 m	-	11.2 m
9 m	-	7.2 m	12.6 m
10 m	-	8.0 m	14.0 m

* Detection angle for 5 – 8 m height is 50°.
Detection angle for 8 – 10 m height is 44°.

Schematic illustration of radial / tangential movements:

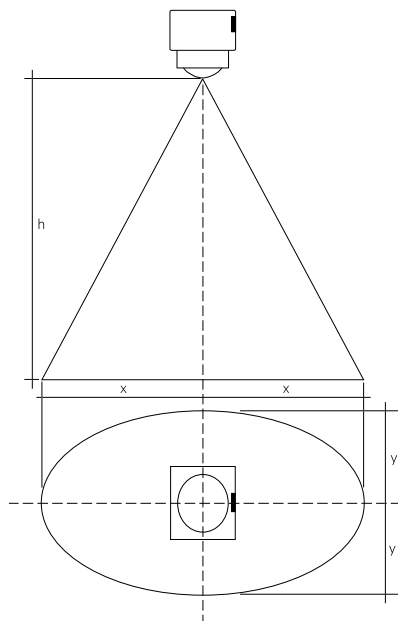


Detection example at 5 m mounting height:



4.3 Light measurement

The light measurement has a cone-shaped detection area with a half angle of approximately 20° in x-direction and 15° in y-direction.



h	dx	dy
5.0 m	3.6 m	2.7 m
7.5 m	5.5 m	4.0 m
10.0 m	7.2 m	5.4 m

The measurement range is between 0.5 and 2000 lx.
Measured at the sensor head.

! To be able to measure values < 5 lx in an accurate way it is needed to change integration time of light sensor to 800 ms. Integration time of light sensor is set to 100 ms by default. For values > 5 lx there is no difference in between these measurements.

4.4 Status LED's

There is a LED built in with three different colours to indicate different status information to the user. This LED is controlled via DALI and from the sensor itself.

! To not have any influence from LED to the light measurement, LED is disabled while light sensor is measuring by default.

The following operating modes can be set for lighting control via the mobile App configuration software:

Active	Constant light control is active.
Inactive	Constant light control is deactivated. The lighting is switched on an adjustable light value.

5. Miscellaneous

5.1 Additional information

Additional technical information at www.tridonic.com → Technical Data

Guarantee conditions at www.tridonic.com → Services

Life-time declarations are informative and represent no warranty claim.
No warranty if device was opened.