

wDALI

GR-Transmitter

GR-Receiver PS20



Datasheet

Wireless DALI

Module for the wireless integration
of spatially separated DALI ballasts
in a DALI system

Art.Nr. 86459587-GRTM (Transmitter)

Art.Nr. 86459587-GRRPS (Receiver)

wDALI GR Transmitter/Receiver Wireless DALI

Overview

- Module for the wireless integration of spatially separated DALI ballasts in a DALI system
- For the wireless connection at least two components are required: one transmitter and one receiver
- range of wireless connection up to 300m outdoors
- Easy group assignment with the help of a rotary group selector on the receiver: all commands sent to the selected group or broadcast are forwarded to the receiver subnet
- The commands are sent broadcast on the subnet
- The transmitter is supplied from the DALI-line, the receiver is supplied by mains and provides a 20mA DALI bus power supply for the subnet
- A DALI-Expander can be used on the subnet for higher DALI loads
- A transmitter can control multiple DALI subnets with a separate transceiver for each subnet
- Double DALI terminals – the DALI signal line is connected through

Specification, Characteristics

Type	wDALI GR-Transmitter
article number	86459587-GRTM

electrical data transmitter:

supply	via DALI-line
typ. current consumption	3.8 mA
input	DALI
function	Forwarding of DALI-commands via RF-connection
RF range	2,4 Ghz

technical data transmitter:

dimensions	59mmx33mmx15mm
type of housing	back box
connecting wire cross-section	0.5 to 1.5 mm ²
ambient temperature	-10°C...+50°C
protection class	IP20

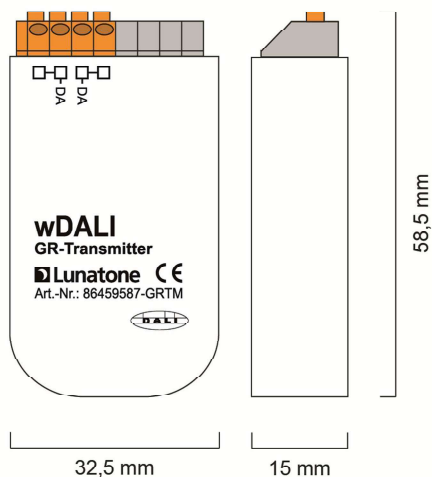
Type	wDALI GR-Receiver PS20
article number	86459587-GRRPS

electrical data receiver:

supply	210-250VAC / 50-60Hz
output	DALI, 20mA (for up tp 10 standard DALI-ballasts)
function	receiving DALI-commands via RF group selection with rotary switch broadcast-forwarding of commands to selected group on DALI subnet
RF range	2,4 Ghz

technical data receiver:

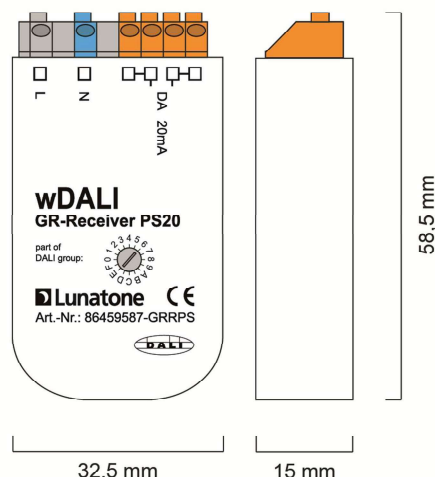
dimensions	59mmx33mmx15mm
housing type	back box
connecting wire cross-section	0.5 to 1.5 mm ²
ambient temperature	-10°C...+50°C
protection class	IP20



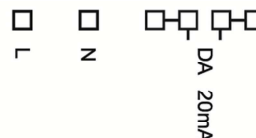
dimensions wDALI GR-Transmitter



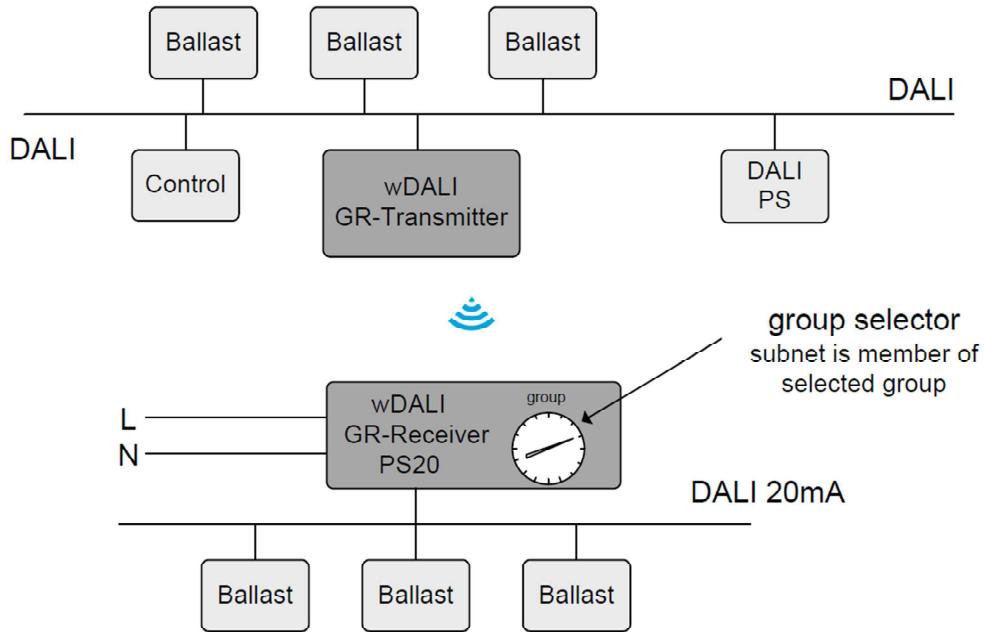
connection plan wDALI GR-Transmitter



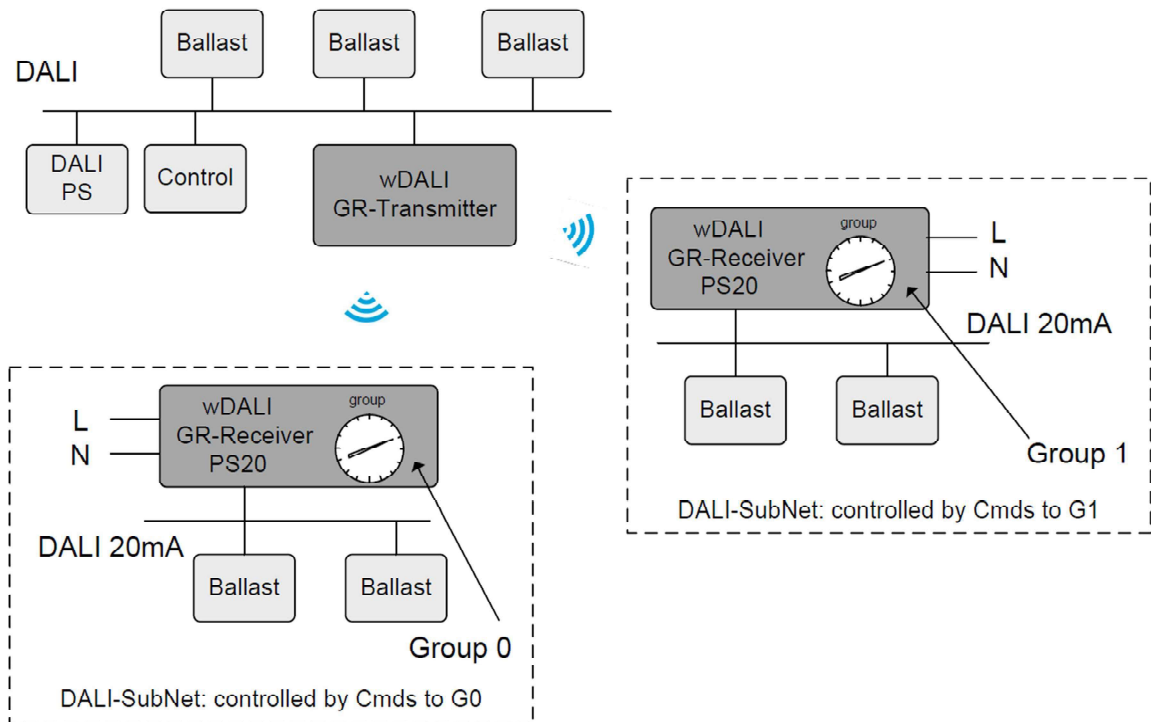
dimensions wDALI GR-Receiver PS20



connection plan wDALI GR-Receiver PS20



Typical application: integration of spatially separated DALI-ballasts



Typical application: integration of multiple spatially separated areas, control via commands to group 0 and group 1

Installation

The wDALI GR-Transmitter is supplied by the DALI-line (typical current consumption: 3.8mA). The connection to the DALI-line is polarity free and protected against overvoltage (mains).

The wDALI GR-Receiver PS20 is supplied by mains and provides a 20mA DALI power supply for a small DALI subnet. For higher loads a DALI-Expander can be installed on the subnet.

The double DALI-terminals of both components provide easy wiring.

The receiving range depends on the structural conditions, outdoors it is up to 300m.

The DALI-subnet of a transceiver can be assigned to groups with the rotary switch on the wDALI GR-Receiver.

Function

The wDALI GR group transmitter/receiver allows the integration of spatially separated DALI ballasts in a DALI-line without the need of being physically connected.

The DALI-commands are transmitted via group the receiver filters and forwards the commands broadcast to the subnet.

Only commands to the selected group and broadcast are forwarded to the subnet.

The scene values can be set up easily with the PC-software tool DALI-Cockpit.

Purchase Information

Art. Nr. 86459587-GRTM: wDALI GR-Transmitter, back box

Art. Nr. 86459587-GRRPS: wDALI GR-Receiver PS20, integrated 20mA bus power supply for DALI subnet, back box

Additional Information and Equipment

DALI-Cockpit – free configuration tool from Lunatone for DALI systems

<http://lunatone.at/en/downloads/Lunatone-DALI-Cockpit.zip>

Lunatone DALI products

<http://www.lunatone.at/en/>

Lunatone datasheets and manuals

<http://lunatone.at/en/downloads/>

Contact

Technical Support: support@lunatone.com

Requests: sales@lunatone.com

www.lunatone.com



Disclaimer

Subject to change. Information provided without guarantee. The datasheet refers to the current delivery.

The compatibility with other devices must be tested in advance to the installation.