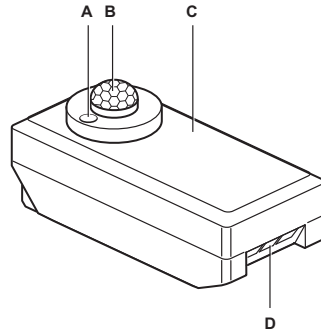


TOUCH DIM LS/PD LI



Light and motion sensor Fitting instructions

Function and application

The TOUCH DIM LS/PD LI sensor regulates the brightness at the workplace and in office areas to increase the working comfort and to save energy.

The sensor can be installed in luminaires (e.g. floor standing luminaires) or in false ceilings.

Function

The sensor measures the brightness in the area to be regulated and keeps this to an adjustable set value by introducing artificial light according to the amount of daylight available.

The sensor also detects the movements of people.

As daylight increases the artificial light is reduced. The sensor no longer detects any motions, it switches the luminaires off.

Construction

The sensor is made up of the following components:

- Light sensor (A)
- Motion sensor (B)
- Housing (C)
- Connections (D) for signal line, zero line and phase

Installation

Safety instructions

The sensor must only be installed and put into operation by a qualified electrician. The applicable safety regulations and accident prevention regulations must be observed.



WARNING!

Exposed, live cables or damaged housing.

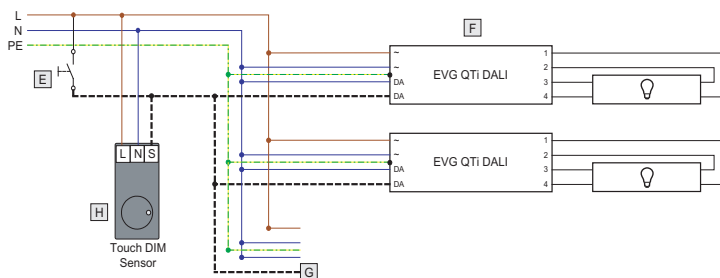
Danger of electric shock!

- Only work on the sensor when it is de-energized.
- Disconnect the sensor or luminaire from the power supply if the housing or plastic lens is damaged.

CAUTION!

Destruction of the sensor and other devices through incorrect mounting!

- Only use electronic OSRAM ballast coils of the type QUICKTRONIC INTELLIGENT DALI (QTI DALI...DIM), HALOTRONIC INTELLIGENT DALI (HTI DALI...DIM) or OPTOTRONIC INTELLIGENT DALI (OT...DIM).
- Do not operate any other other control units on the control line.
- Do not exceed the maximum number of ballast coils and maximum overall cable length between the operating button, sensor and ballast coil.
- Do not connect control line with external voltage.
- Only supply sensor with an AC operating voltage, especially in networks with UPS systems.



Connecting the sensor

E Operating pushbutton: Same phase as sensor.

F Electronic ballast coil (EVG): Connect max. 4 ballast coils.

G Signal line: Max. 10 m.

H Sensor: Cable connection via 3-wires permitted for mains voltage. Do not switch the sensors in parallel.

Fitting (cont.)

Selecting the installation location

I Surveillance cone: entire workplace; not on window surfaces

K Avoid direct light irradiation

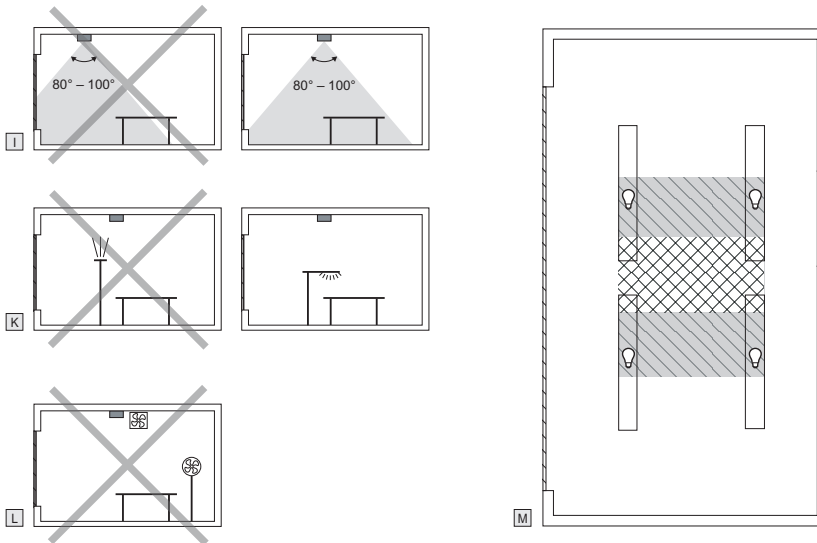
L Avoid drafts (e.g. from ventilators or fans)

M Place centrally.



Optimum installation location

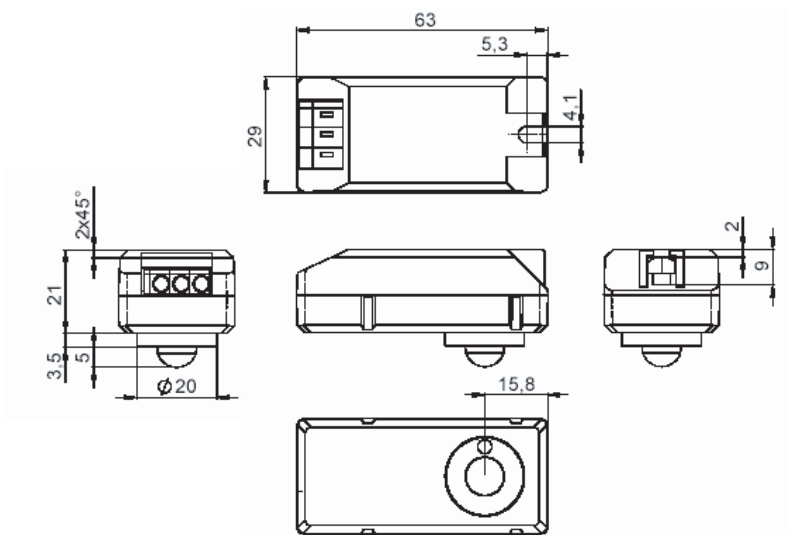
Possible installation location



Appendix

Technical data

Operating voltage	220-240 V / 50-60 Hz (no DC operation)
Connections	L, N, S (signal)
Interface	Osram-specific, maximum 4 QTI DALI coil ballast or 4 HTI transformers or 4 OTI LED dimmers can be connected
Maximum overall length of the signal line	10 m
Power consumption	approx. 0.5 W
Operating temperature	0 °C ... +50 °C
Adjustable light value	approx. 0-300 lx measured on the sensor (corresponds to approx. 10-1200 lx on the work surface)
Motion detection area	conical, approx. 80° ... 100° aperture angle
Pollution severity	2 (dry, not conductive to IEC 664)
Dimensions	63 x 29 x 21 mm (L x W x H)
Protection class	II
Protection type	IP 20



VII 2008

TouchDIM-LSPD-LI_ma0807en_we1.02.indd

OSRAM GmbH
Kunden Service Center
Customer-Service-Center (CSC)

Steinerne Furt 62
86167 Augsburg
Germany

Tel : +49 (0) 1803 677 - 200
(kostenpflichtig / charges apply)
Fax.: +49 (0) 1803 677 - 202

www.osram.com

www.osram.de



4008321023025

The EMC requirements to EN 61547 are fulfilled.



Conformity with the relevant EU directives is confirmed by the CE symbol.